

F1-101-M kolbmootor, 37811800



| | | |
|--|-----------------|-------|
| Tootlikkus cm ³ /pöörde kohta | cm ³ | 102,9 |
|--|-----------------|-------|

| | |
|----------------------------|-------|
| Maksimum pöörlemise kiirus | p/min |
| Pidev, | 1400 |
| Lühiajaline | 1800 |

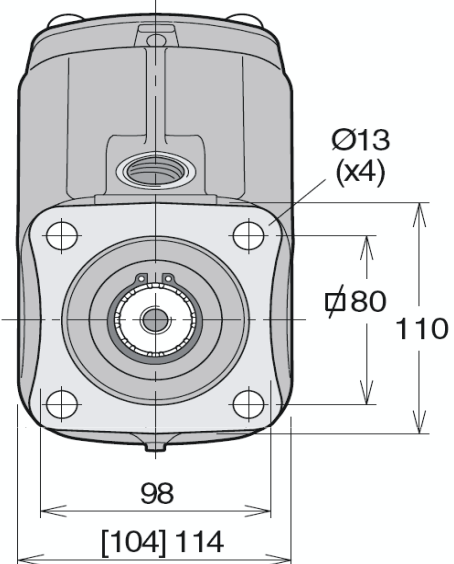
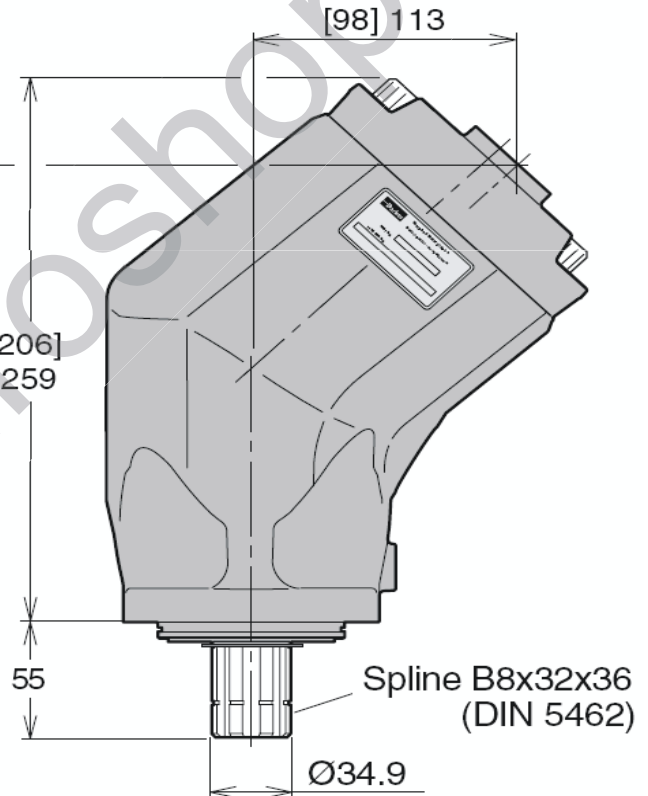
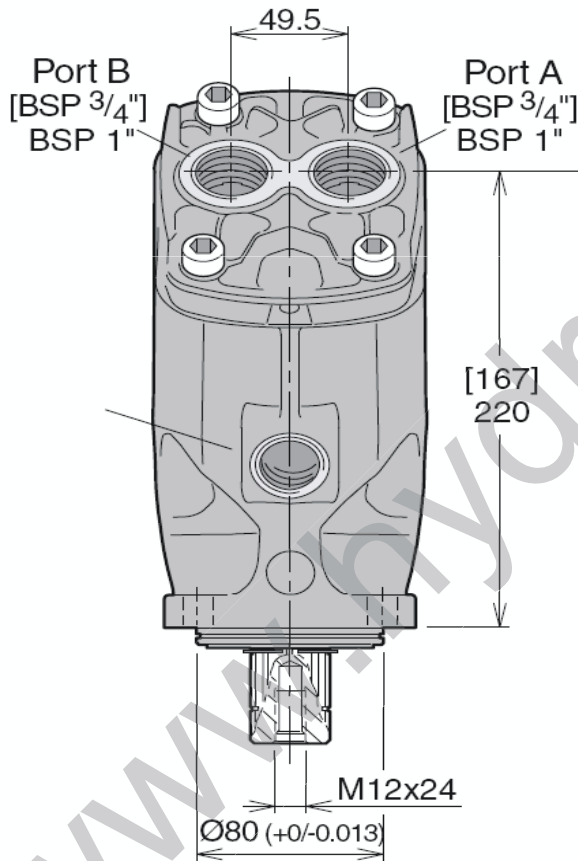
| | |
|-------------------|-----|
| Maksimum töösurve | bar |
| Nominaal | 250 |
| Lühiajaline | 350 |

| | | |
|-------------|-----|-----|
| Maksimum Nm | bar | Nm |
| | 200 | 327 |
| | 350 | 572 |

| | |
|-------------|----|
| Maksimum kW | kW |
| Pidev | 48 |
| Lühiajaline | 62 |

| | |
|------------------|-------|
| Pöörlemise suund | R / L |
|------------------|-------|

| | |
|---------|------|
| Kaal kg | 12,5 |
|---------|------|



Note ! Drain line must be mounted. Connection BSP 1/2". Maximum drain line pressure is 3 bar

