



Replaces: EP 02 T E

## Hydraulic hand pumps

### DISPLACEMENTS

From 12 cm<sup>3</sup>/cycle  
To 45 cm<sup>3</sup>/cycle



### MAX PRESSURE

315 bar

- New interchangeable modular design for maximum flexibility
- Same pumping group with or without reservoir
- Suitable for auxiliary or emergency applications

Edition: 03/04.2004



## INDEX

Product description . . . . .	Page 1
Technical data . . . . .	Page 2
Pump and reservoir selectiono . . . . .	Page 3
"A" and "B" modular designs". . . . .	Page 4
Mounting position of pumps with reservoirs . . . . .	Page 6
Pumping groups . . . . .	Page 7
Hand pumps without reservoirs . . . . .	Page 10
Hand pumps with reservoirs . . . . .	Page 12
Support for hand pumps without reservoir . . . . .	Page 18
Reservoirs . . . . .	Page 19
Kit and accessories . . . . .	Page 21
Hand pumps without reservoirs with aluminium body simplified version . . . . .	Page 23

Replaces: 02/11.2000

03/04.04

 **Modification from former edition.**

## PRODUCT DESCRIPTION

**General description**

"UpEasy" is a series of double acting hand pumps providing flow in both directions of lever movement.

**➤ Modular design**

One of the primary characteristics of the new series of "UpEasy" pumps is the modular design.

**The modular design of the pumping groups, reservoirs and accessories allow the flexibility to configure the hand pump assembly required for the application.**

All pumping groups shown in the following pages can be mounted on a common support or on the reservoirs.

The pumping groups are furnished with the screws and a gasket for sealing to the support or the reservoir.

**1) Assembly of the pumping group on the support:**

place the "O-Ring" supplied with the support on the pumping group.

**2) Assembly of the pumping group on the reservoir:**

insert the suction kit on the pumping group.

Section **A** on page 4 addresses points 1 and 2.

To limit the inventory levels all the hand pumps configurations can be made by matching the following kits:

- pumping groups
- suction kit
- reservoirs
- reservoirs capacity kit (cover, gasket and screws)

Section **B** on page 5 addresses this flexibility.

**➤ Simplified version** ○

In this version the body is obtained from an extruded aluminum bar. This allows to the pump to be more compact and cheaper compared to modular solution.

Replaces: 01/02.2000

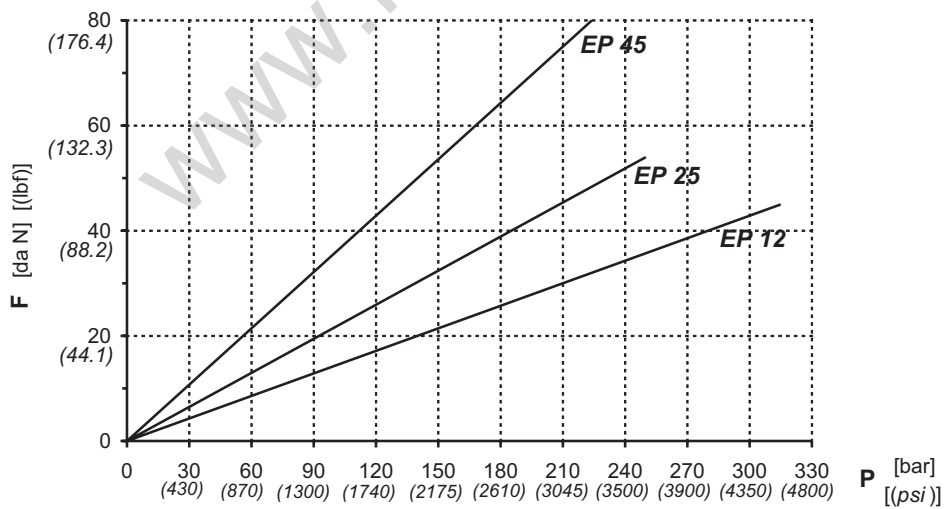
○ 03/04.04

**TECHNICAL DATA**

Pumping group type		<b>EP 12</b>	<b>EP 25</b>	<b>EP 45</b>
Displacement	[cm <sup>3</sup> /cycle]	12	25	45
Max. pressure	[bar]	315	250	220
Operating temperature	[°C]	-15 + +80		
Fluid		Mineral oil based hydraulic fluids to DIN 51524. <b>For other fluids please consult our sales department.</b>		
Fluid viscosity range at 50 °C	[mm <sup>2</sup> /s] [cSt]	12 + 46		

Replaces: 01/02.2000

**FORCE - PRESSURE CHART**



02/11.2000

F	Force at the end of the standard lever code 06004390	[daN]
P	Pressure	[bar]

**PUMP AND RESERVOIR SELECTION**

**PUMP SELECTION**

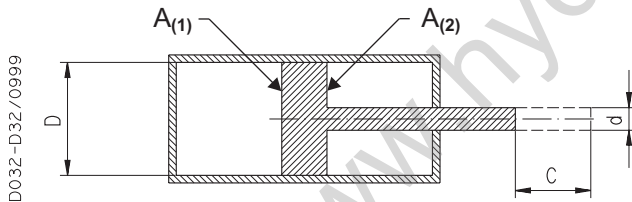
To select the right displacement of the pumping group it is necessary to know :

Piston stroke	C [cm]
Piston diameter	D [cm]
Piston rod diameter	d [cm]
Max. outlet pressure	P [bar]

Choose :

Pump displacement	Q [cm <sup>3</sup> /cycle]
-------------------	----------------------------

Using the formulas listed below you can calculate the number of cycles “n” needed for the piston stroke “C”.



$$A_{(1)} = \frac{\pi D^2}{4} \text{ [cm}^2\text{]}$$

$$A_{(2)} = \frac{\pi D^2}{4} - \frac{\pi d^2}{4} \text{ [cm}^2\text{]}$$

$$n = \frac{A_{(\dots)} C}{Q}$$

From the force-pressure chart in page 2 is possible to see the force needed at the end of the lever.

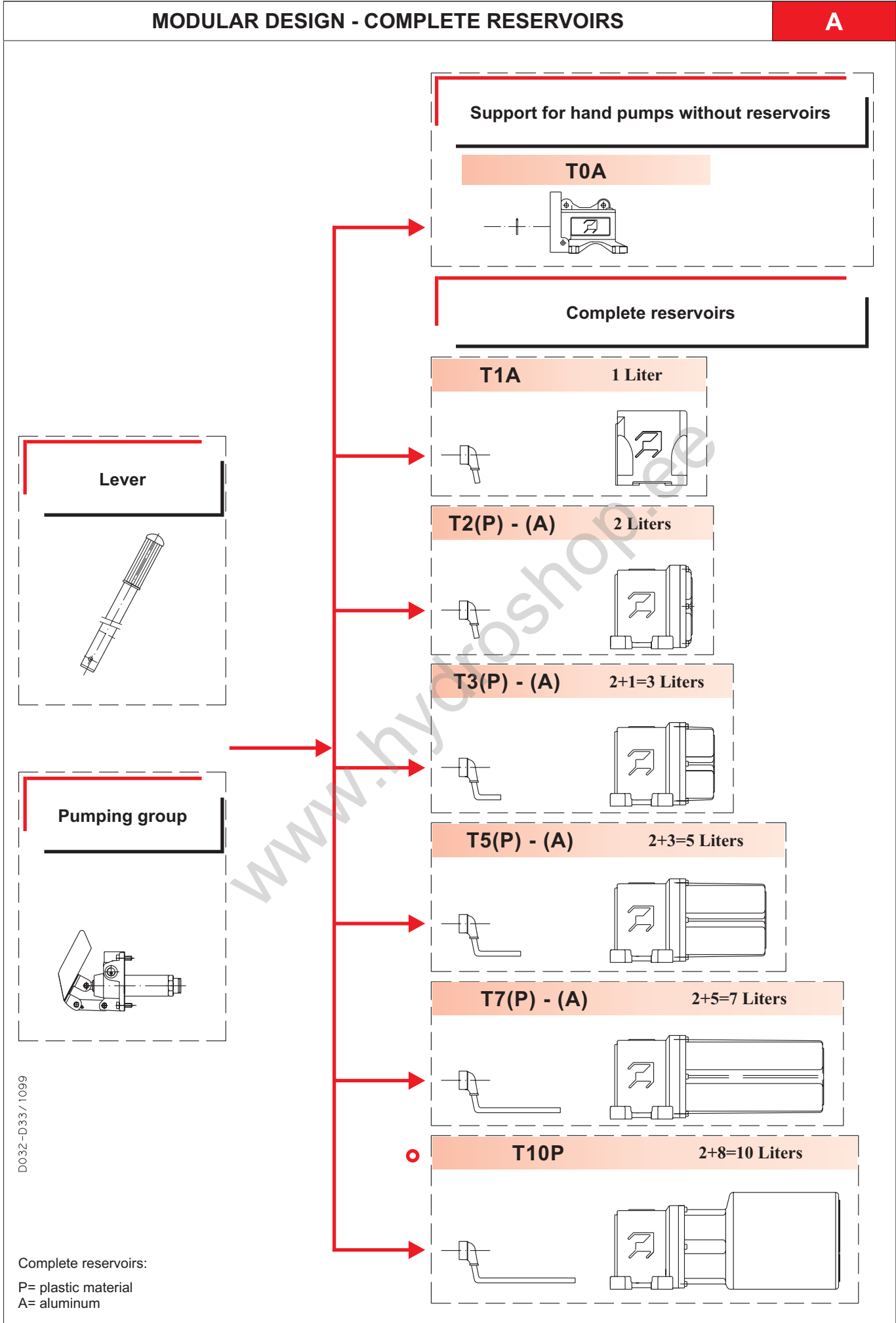
**RESERVOIR CHOICE**

We recommend the reservoir capacity be 30% greater than the volume of oil needed.

01/02.2000

**MODULAR DESIGN - COMPLETE RESERVOIRS**

**A**



Replaces: 01/02.2000

03/04.04

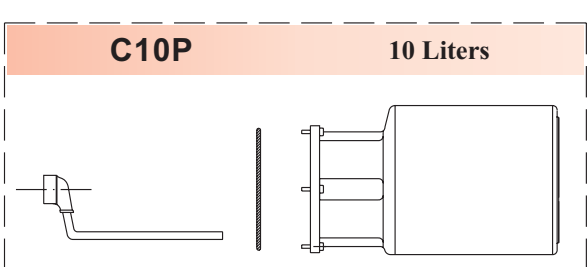
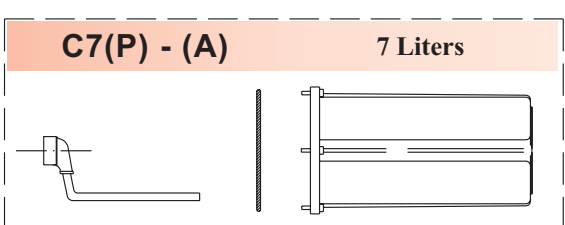
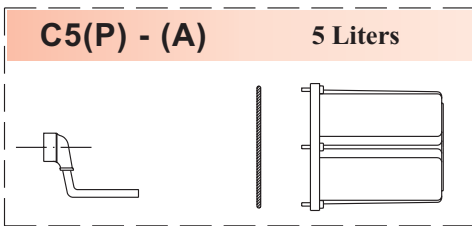
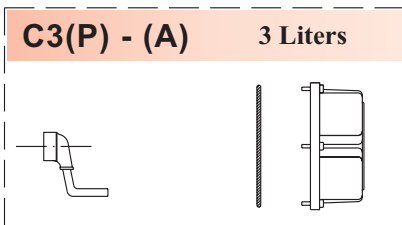
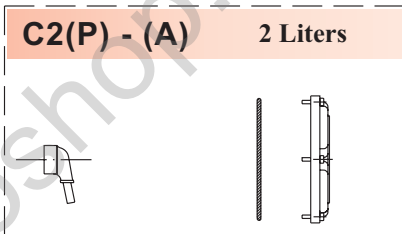
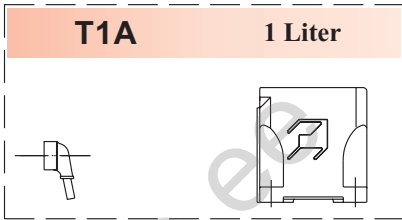
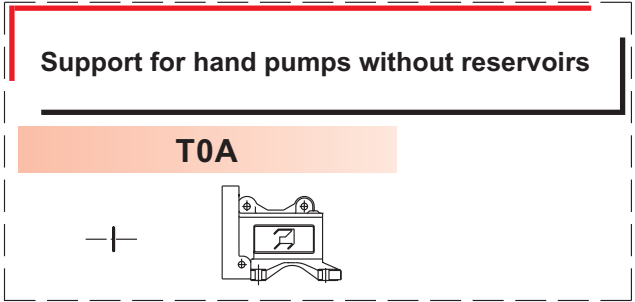
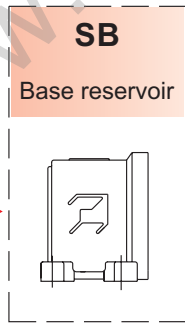
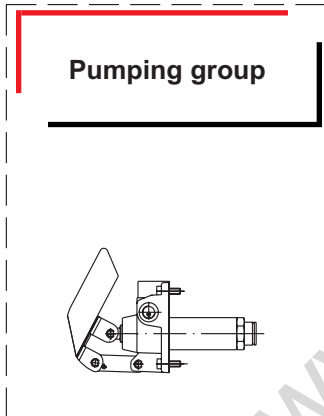
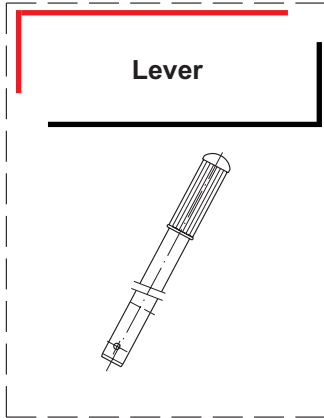
D032-D33/1099

Complete reservoirs:  
P= plastic material  
A= aluminum

**MODULAR DESIGN - RESERVOIRS PARTS**

**B**

Replaces: 01/02.2000



03/04.04

D032-D38/1099

The base reservoir "SB" is aluminum.

Reservoirs parts:  
P= plastic material  
A= aluminum

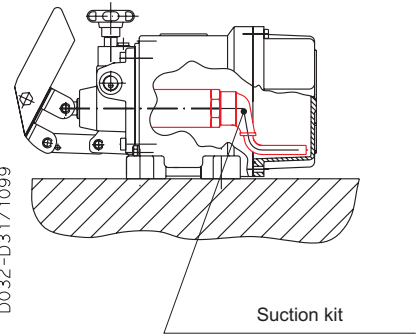
**MOUNTING POSITION OF PUMPS WITH RESERVOIRS**

**Horizontal and/or vertical mounting**

Hand pump with **standard** configuration is set with the inlet kit mounted as shown in positions 1 and 2. Such configuration is horizontal or vertical mounting.

**POS. 1**

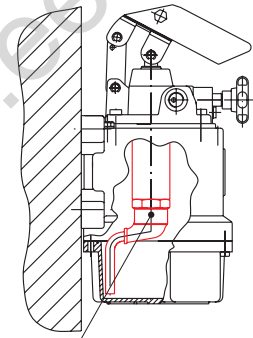
D032-D31 / 1099



Suction kit

**POS. 2**

D032-D39 / 1099



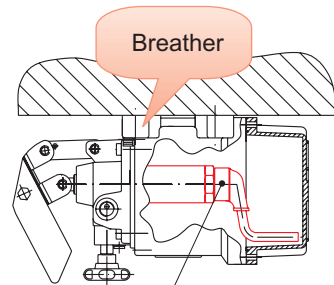
Suction kit

**Top mounting.**

For this mounting the suction kit has to be turned 180° and the **filling plug position has to be switched with the breather**. For the reservoirs 0.26 US gal capacity order T1A-SF type.

**POS. 3**

D032-D40 / 1099

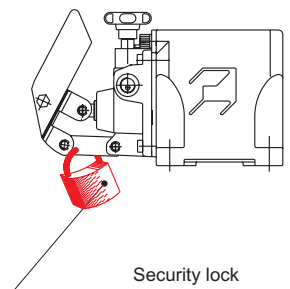


Suction kit

**Security lock**

For safety reasons, you may lock the handle in place with a padlock to disable the pump

D032-D41 / 1099



Security lock

Replaces: 01/02.2000

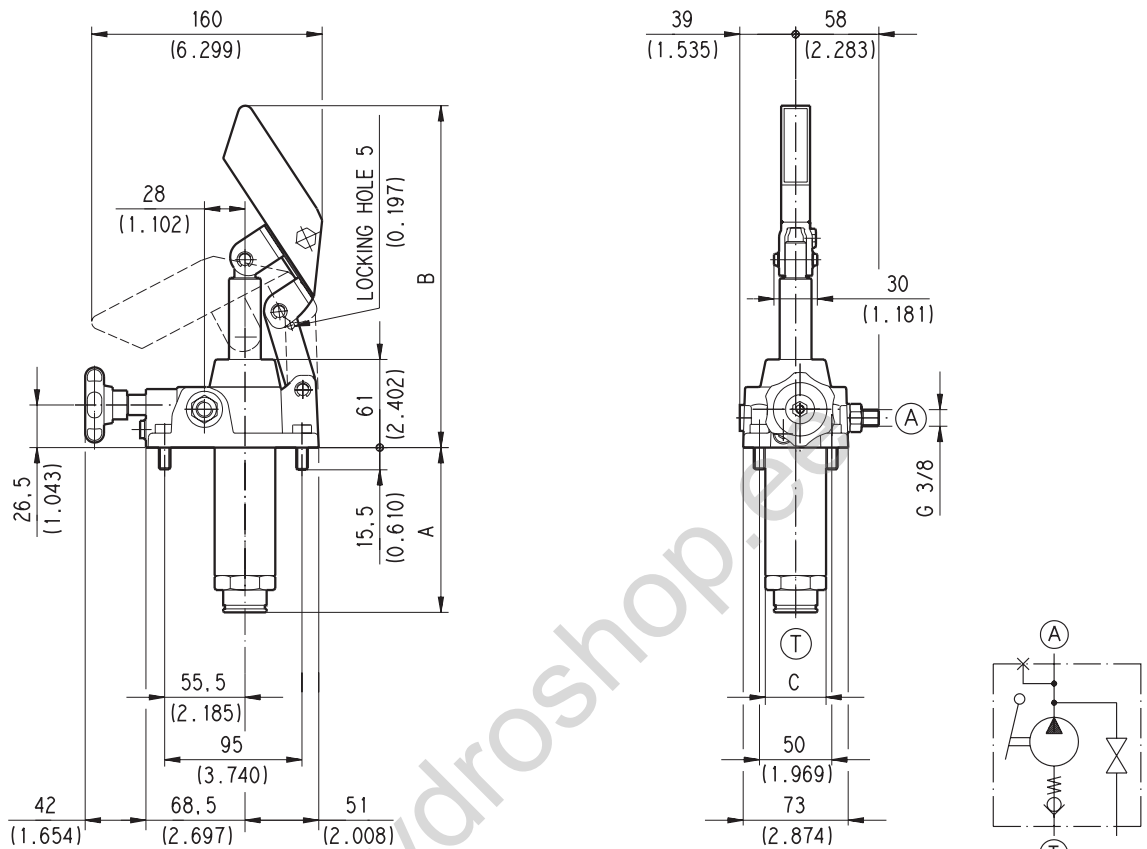
03/04.04

EP.. S - EP.. S V1

PUMPING GROUP WITH BUILT-IN SHUT-OFF VALVE

Replaces: 01/02.2000

D032-D15/1099



Requires the lever code 06004390

How to order	Displacement	Max. pressure	A	B	C	Weight
	[cm <sup>3</sup> /cycle]	[bar]	mm (in)	mm (in)	mm (in)	kg
<b>EP 12 S</b>	12	315	110 (4.331)	219 (8.622)	35 (1.378)	3,40
<b>EP 25 S</b>	25	250	110 (4.331)	229 (9.016)	35 (1.378)	3,40
<b>EP 45 S</b>	45	220	114 (4.488)	237 (9.331)	42 (1.654)	3,70

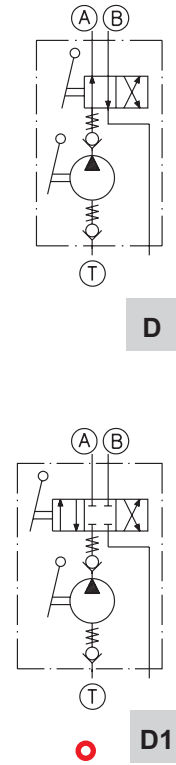
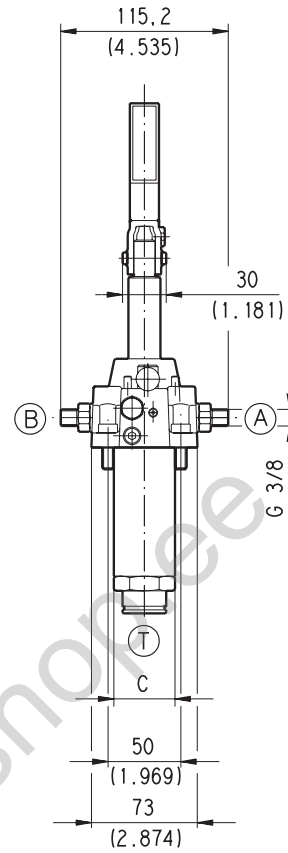
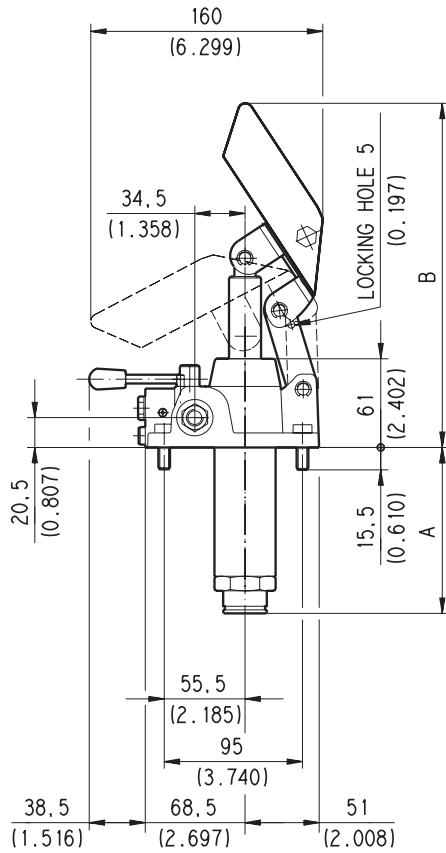
02/11.2000

Pumping group with relief valve built-in - V1 standard setting 140 [bar]

How to order	Relief valve setting	
<b>EP 12 S V1</b>		
<b>EP 25 S V1</b>		
<b>EP 45 S V1</b>		
<b>V1</b>	0-140 [bar]	
<b>V2</b>	70-315 [bar]	
<b>V3(...)</b>	On request relief valve setting	V3 (... [bar]) max. 315 [bar]

EP.. D ..

PUMPING GROUP WITH BUILT-IN 4 WAY CONTROL VALVE



D032-D16/1002

Requires the lever code 06004390

How to order	Displacement	Max. pressure	A	B	C	Weight
	[cm <sup>3</sup> /cycle]	[bar]	mm (in)	mm (in)	mm (in)	[kg]
EP 12 (◆)	12	315	110 (4.331)	219 (8.622)	35 (1.378)	3,50
EP 25 (◆)	25	250	110 (4.331)	229 (9.016)	35 (1.378)	3,50
EP 45 (◆)	45	220	114 (4.488)	237 (9.331)	42 (1.654)	3,80

Pumping group with relief valve built-in - V1 standard setting 140 [bar]

How to order	D	D1	Relief valve setting
EP 12 (◆) V1			0-140 [bar]
EP 25 (◆) V1			70-315 [bar]
EP 45 (◆) V1			V3 (... [bar]) max. 315 [bar]
V1	Relief valve setting		0-140 [bar]
V2	Relief valve setting		70-315 [bar]
V3(...)	On request relief valve setting		V3 (... [bar]) max. 315 [bar]

(◆) D= 4 way and 2 positions control valve - D1= 4 Way and 3 positions control valve

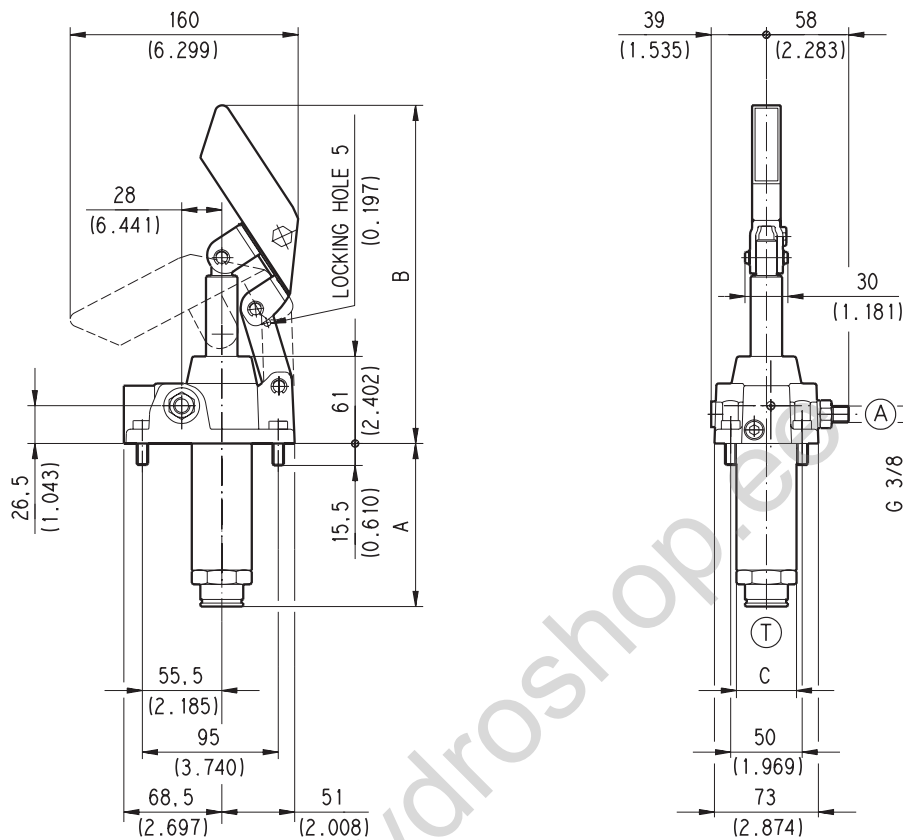
Replaces: 02/11.2000

03/04.04

EP.. W

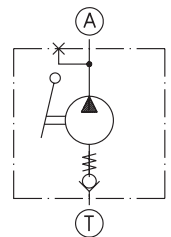
PUMPING GROUP WITHOUT SHUT-OFF VALVE

Replaces: 01/02.2000



D032-D28/1099

Requires the lever code 06004390

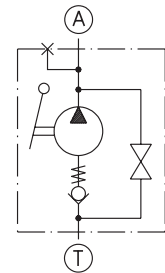
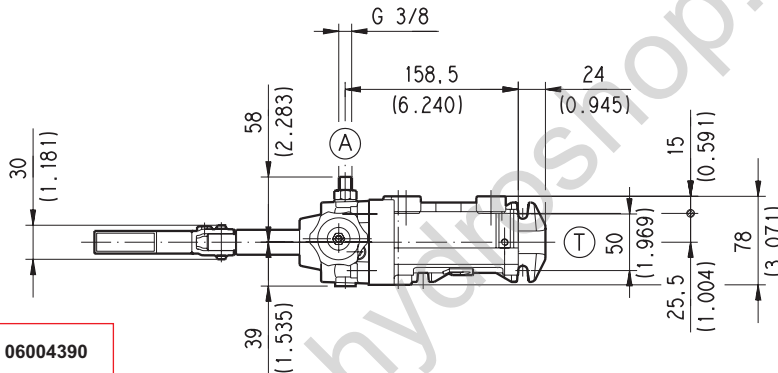
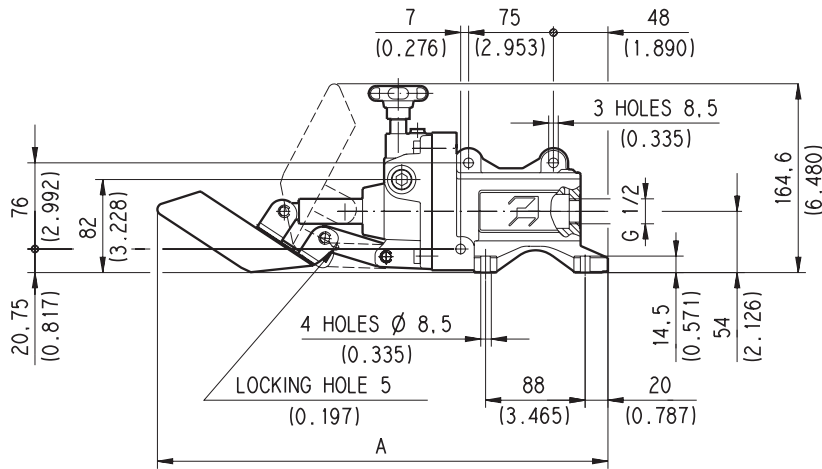


02/11.2000

How to order	Displacement	Max. pressure	A	B	C	Weight
	[cm <sup>3</sup> /cycle]	[bar]	mm (in)	mm (in)	mm (in)	[kg]
<b>EP 12 W</b>	12	315	110 (4.331)	219 (8.622)	35 (1.378)	3,20
<b>EP 25 W</b>	25	250	110 (4.331)	229 (9.016)	35 (1.378)	3,20
<b>EP 45 W</b>	45	220	114 (4.488)	237 (9.331)	42 (1.654)	3,50

EP.. S/T0A - EP.. S V1/T0A

HAND PUMP WITHOUT RESERVOIR WITH BUILT-IN SHUT-OFF VALVE

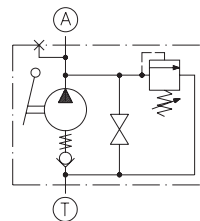


Requires the lever code 06004390

How to order	Displacement	Max. pressure	A	Weight
	[cm <sup>3</sup> /cycle]	[bar]	mm (in)	[kg]
EP 12 S/T0A	12	315	375 (14.764)	4,70
EP 25 S/T0A	25	250	385 (15.157)	4,70
EP 45 S/T0A	45	220	393 (15.472)	5,00

Hand pump with relief valve built-in - V1 standard setting 140 [bar]

How to order	Relief valve setting	
EP 12 S V1/T0A		
EP 25 S V1/T0A		70-315 [bar]
EP 45 S V1/T0A		V3 (... [bar]) max. 315 [bar]
V1	Relief valve setting	0-140 [bar]
V2		70-315 [bar]
V3(...)	On request relief valve setting	V3 (... [bar]) max. 315 [bar]



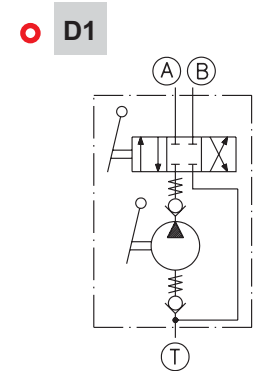
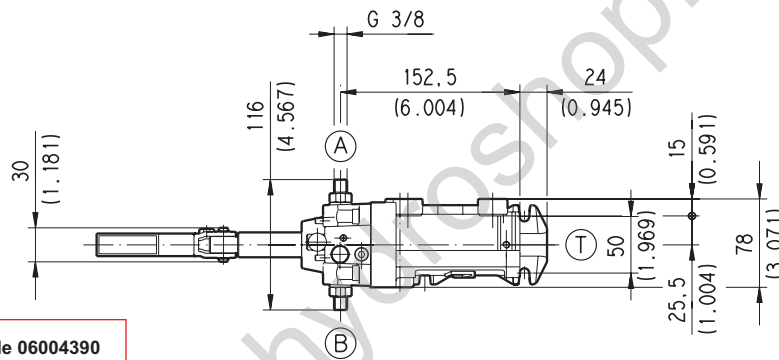
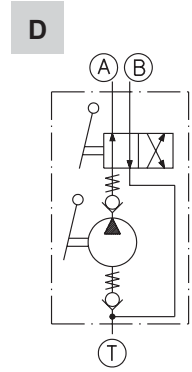
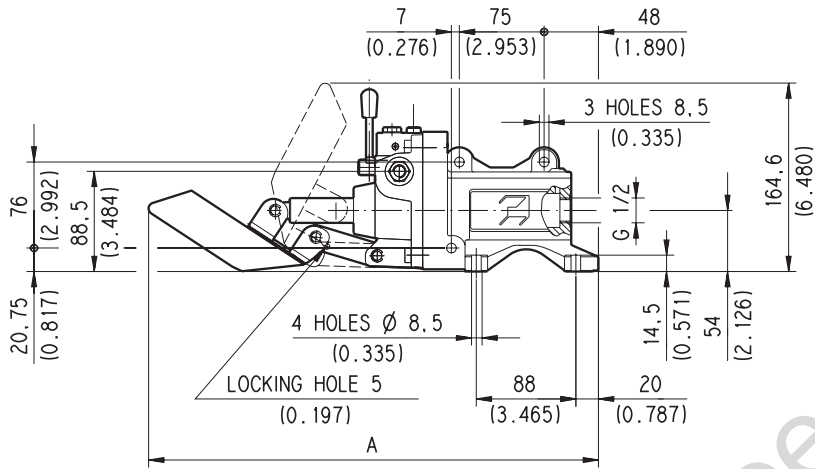
Replaces: 01/02.2000

02/11.2000

D032-D17/1099

Replaces: 02/11.2000

**HAND PUMP WITHOUT RESERVOIR WITH BUILT-IN  
4 WAY CONTROL VALVE**  
Available version L (Ⓐ plugged)



Requires the lever code 06004390

How to order	Displacement	Max. pressure	A	Weight
	[cm <sup>3</sup> /cycle]	[bar]	mm (in)	[kg]
<b>EP 12 (◆) /T0A</b>	12	315	375 (14.764)	4,80
<b>EP 25 (◆) /T0A</b>	25	250	385 (15.157)	4,80
<b>EP 45 (◆) /T0A</b>	45	220	393 (15.472)	5,10

03/04.04

Hand pump with relief valve built-in - V1 standard setting 140 [bar]

How to order	D	D1	Relief valve setting
<b>EP 12 (◆) V1/T0A</b>			0-140 [bar]
<b>EP 25 (◆) V1/T0A</b>			70-315 [bar]
<b>EP 45 (◆) V1/T0A</b>			V3 (... [bar]) max. 315 [bar]
<b>V1</b>			0-140 [bar]
<b>V2</b>			70-315 [bar]
<b>V3(...)</b>	On request relief valve setting		V3 (... [bar]) max. 315 [bar]

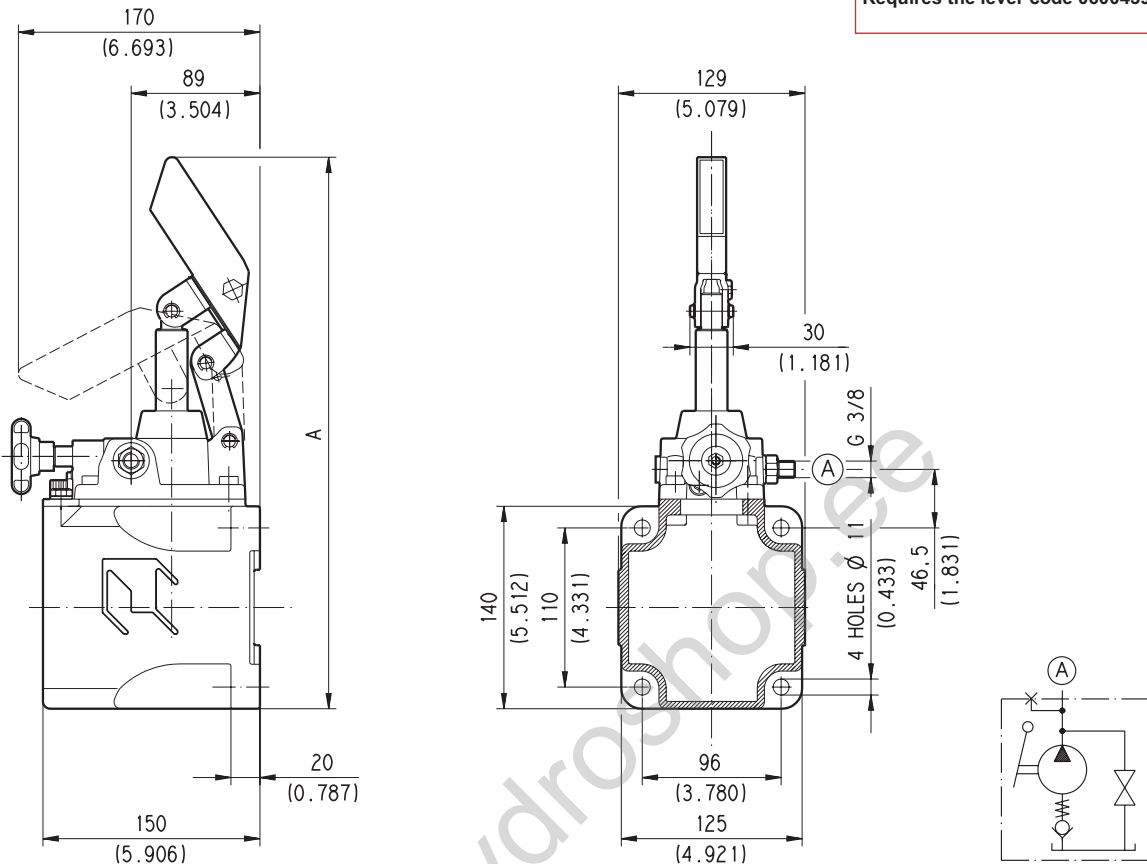
(◆) D= 4 way and 2 positions control valve - D1= 4 Way and 3 positions control valve

**EP.. S/T1A - EP.. S V1/T1A**

**HAND PUMP WITH RESERVOIR 1 LITER CAPACITY  
WITH BUILT-IN SHUT-OFF VALVE**

Requires the lever code 06004390

D032-D19/1099



Replaces: 01/02.2000

How to order	Displacement	Max. pressure	<b>A</b>	Weight
	[cm <sup>3</sup> /cycle]	[bar]	mm (in)	[kg]
<b>EP 12 S/T1A</b>	12	315	364 (14.331)	5,00
<b>EP 25 S/T1A</b>	25	250	374 (14.724)	5,00
<b>EP 45 S/T1A</b>	45	220	382 (15.039)	5,30

Hand pump with relief valve built-in - V1 standard setting 140 [bar]

How to order		Relief valve setting
<b>EP 12 S V1/T1A</b>		0-140 [bar]
<b>EP 25 S V1/T1A</b>		70-315 [bar]
<b>EP 45 S V1/T1A</b>		V3 (... [bar]) max. 315 [bar]
<b>V1</b>		0-140 [bar]
<b>V2</b>		70-315 [bar]
<b>V3(...)</b>	On request relief valve setting	V3 (... [bar]) max. 315 [bar]

The reservoir is available only in aluminum .

02/11.2000

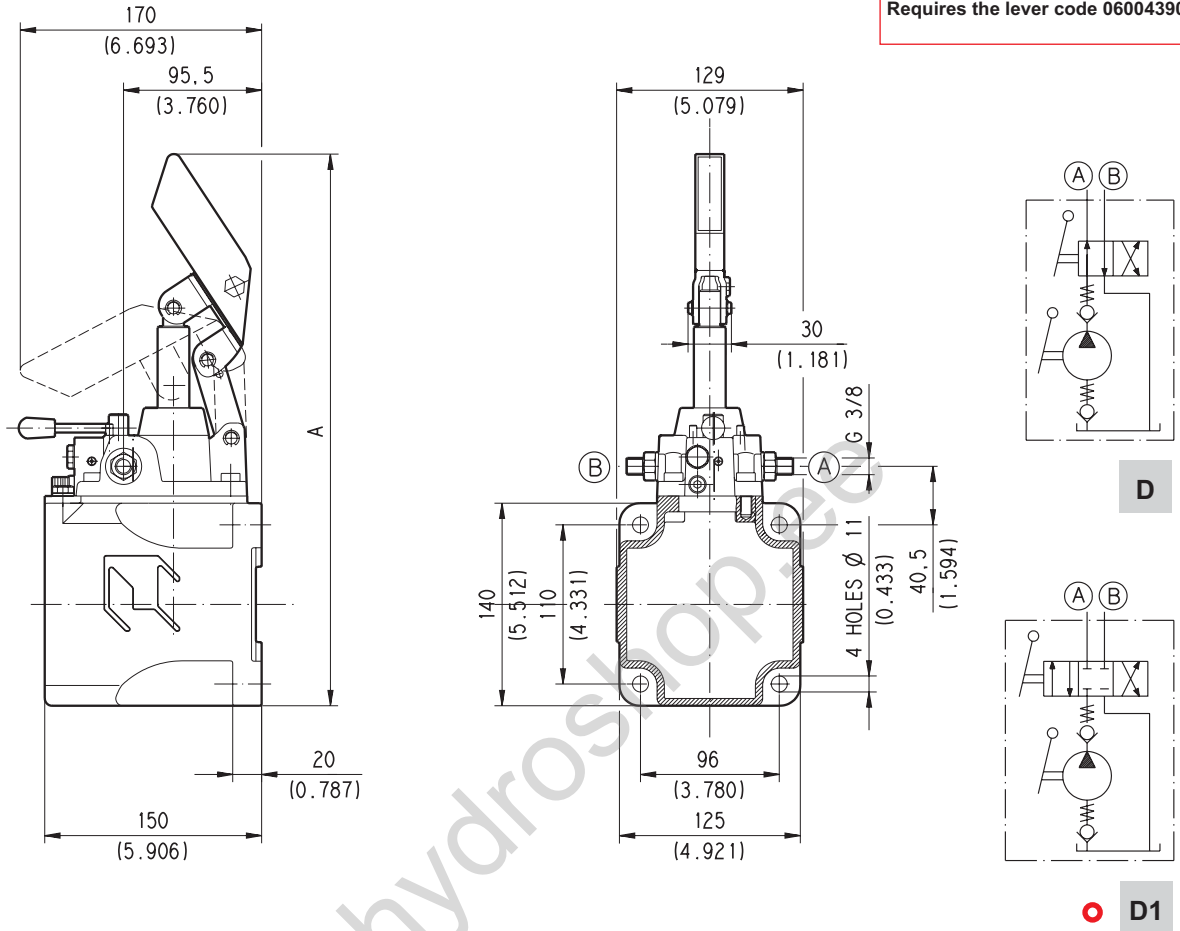
EP.. D/T1A - EP.. D V1/T1A

HAND PUMP WITH RESERVOIR 1 LITER CAPACITY WITH BUILT-IN 4 WAY CONTROL VALVE

Replaces: 02/11.2000

D032-D20/1002

Requires the lever code 06004390



How to order	Displacement	Max. pressure	A	Weight
	[cm <sup>3</sup> /cycle]	[bar]	mm (in)	[kg]
EP 12 (◆) /T1A	12	315	364 (14.331)	5,10
EP 25 (◆) /T1A	25	250	374 (14.724)	5,10
EP 45 (◆) /T1A	45	220	382 (15.039)	5,40

03/04.04

Hand pump with relief valve built-in - V1 standard setting 140 [bar]

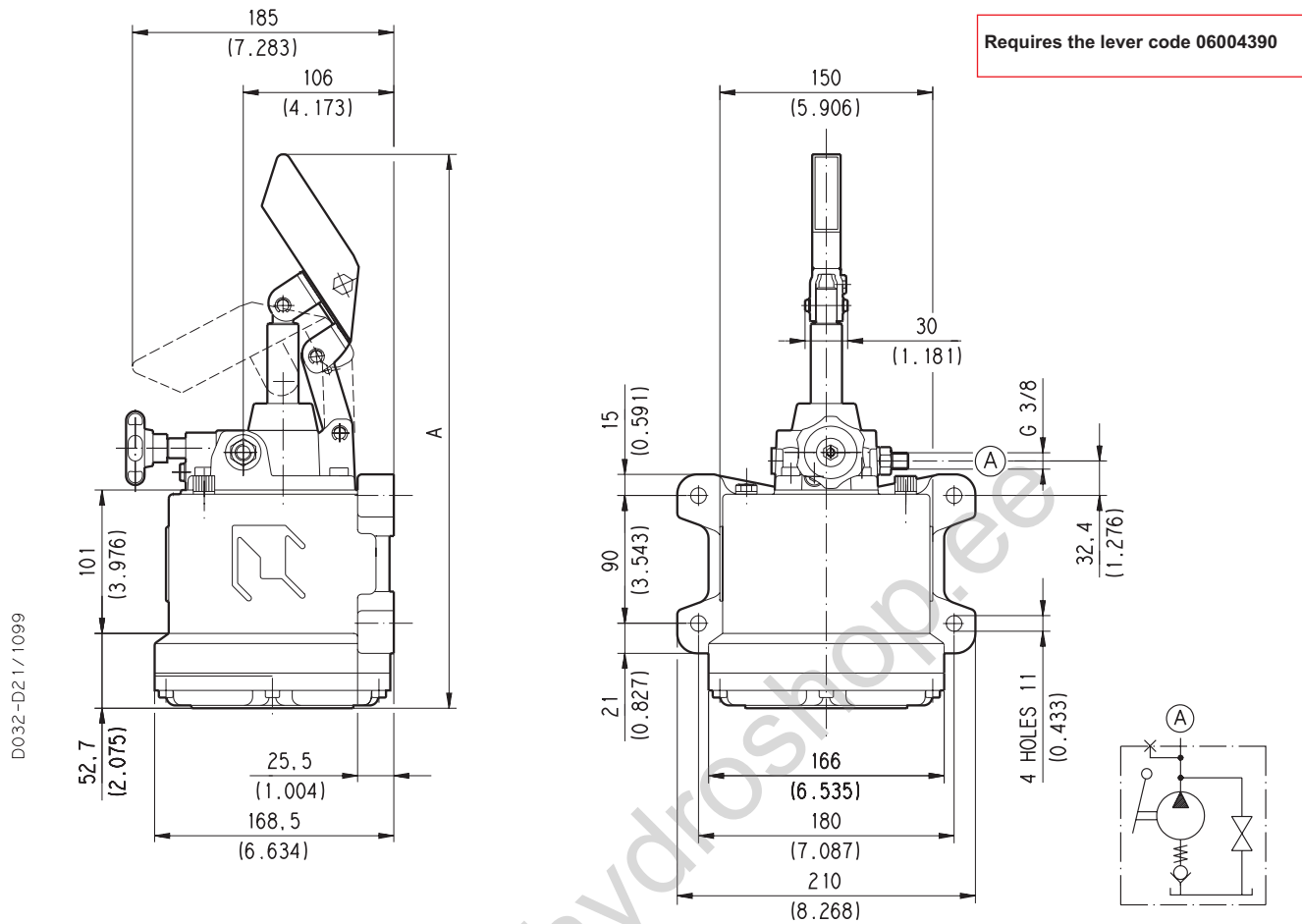
How to order	D	D1
EP 12 (◆) V1/T1A		
EP 25 (◆) V1/T1A		
EP 45 (◆) V1/T1A		
V1	Relief valve setting	
V2	70-315 [bar]	
V3(...)	On request relief valve setting	
	V3 (... [bar]) max. 315 [bar]	

(◆) D= 4 way and 2 positions control valve - D1= 4 Way and 3 positions control valve

The reservoir is available only in aluminum .

EP.. S/T2P - EP.. S V1/T2P

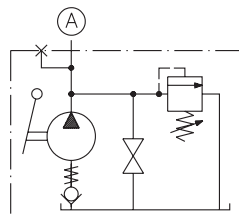
HAND PUMP WITH RESERVOIR 2 LITERS CAPACITY WITH BUILT-IN SHUT-OFF VALVE



How to order	Displacement	Max. pressure	<b>A</b>	Weight
	[cm <sup>3</sup> /cycle]	[bar]	mm (in)	[kg]
<b>EP 12 S/T2P</b>	12	315	374,7 (14.752)	5,90
<b>EP 25 S/T2P</b>	25	250	384,7 (15.146)	5,90
<b>EP 45 S/T2P</b>	45	220	392,7 (15.461)	6,20

Hand pump with relief valve built-in - V1 standard setting 140 [bar]

How to order	Relief valve setting	Weight
<b>EP 12 S V1/T2P</b>		0-140 [bar]
<b>EP 25 S V1/T2P</b>	70-315 [bar]	
<b>EP 45 S V1/T2P</b>	On request relief valve setting	V3 (... [bar]) max. 315 [bar]
<b>V1</b>		
<b>V2</b>		
<b>V3(...)</b>		



Il serbatoio è disponibile in materiale plastico o in alluminio (dimensioni a pag. 19).  
Per richiedere quello in alluminio sostituire la P con A (ex. T2A)

Sostituisce: 02/11.2000

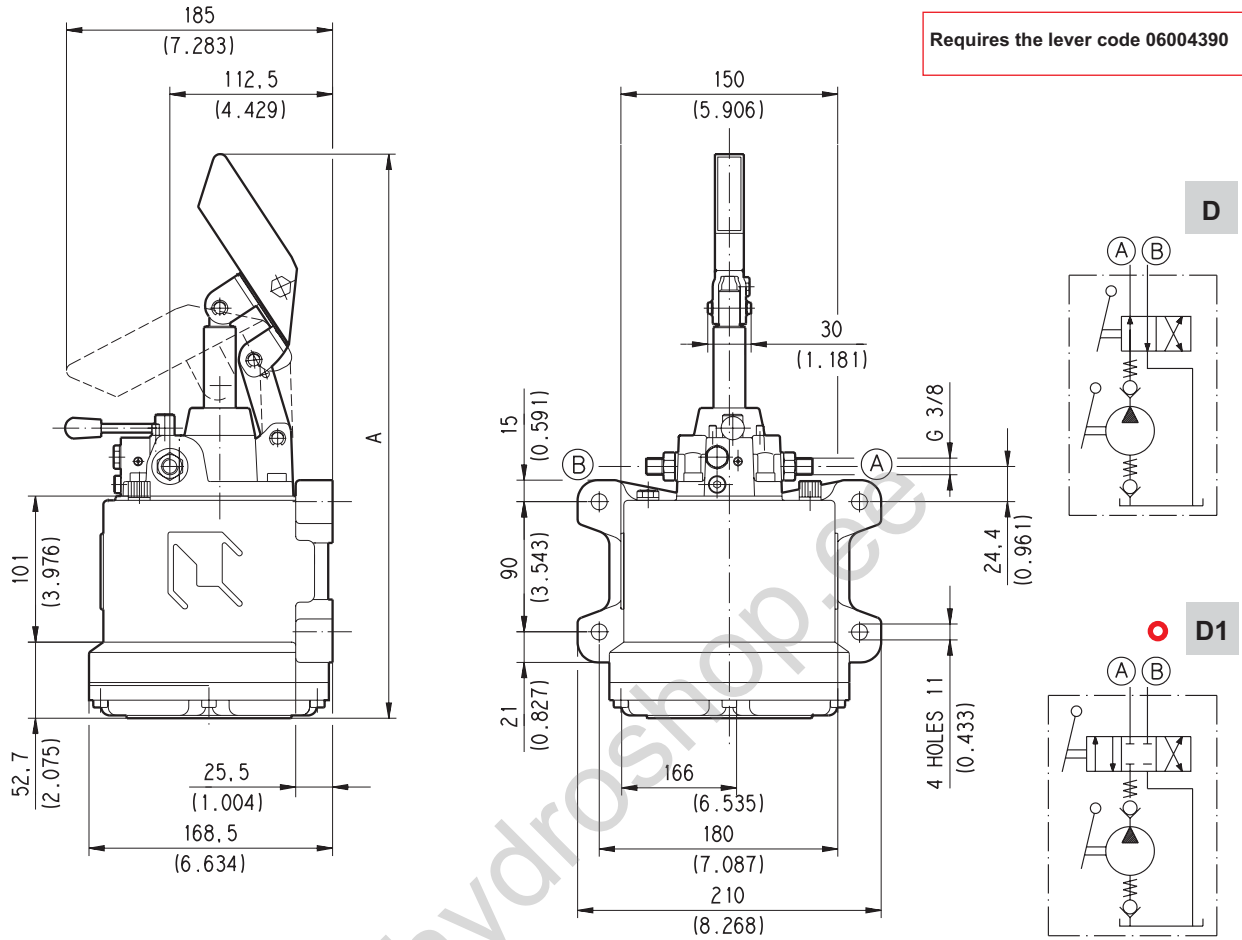
03/11.2002

EP.. D/T2P - EP.. D V1/T2P

HAND PUMP WITH RESERVOIR 2 LITERS CAPACITY WITH BUILT-IN 4 WAY CONTROL VALVE

Replaces: 02/11.2000

D032-D22/1002



How to order	Displacement	Max. pressure	A	Weight
	[cm <sup>3</sup> /cycle]	[bar]	mm (in)	[kg]
EP 12 (◆) /T2P	12	315	374,7 (14.752)	6,00
EP 25 (◆) /T2P	25	250	384,7 (15.146)	6,00
EP 45 (◆) /T2P	45	220	392,7 (15.461)	6,30

Hand pump with relief valve built-in - V1 standard setting 140 [bar]

How to order	D	D1	Relief valve setting
EP 12 (◆) V1/T2P			0-140 [bar]
EP 25 (◆) V1/T2P			70-315 [bar]
EP 45 (◆) V1/T2P			V3 (... [bar]) max. 315 [bar]
V1			0-140 [bar]
V2			70-315 [bar]
V3(...)			V3 (... [bar]) max. 315 [bar]

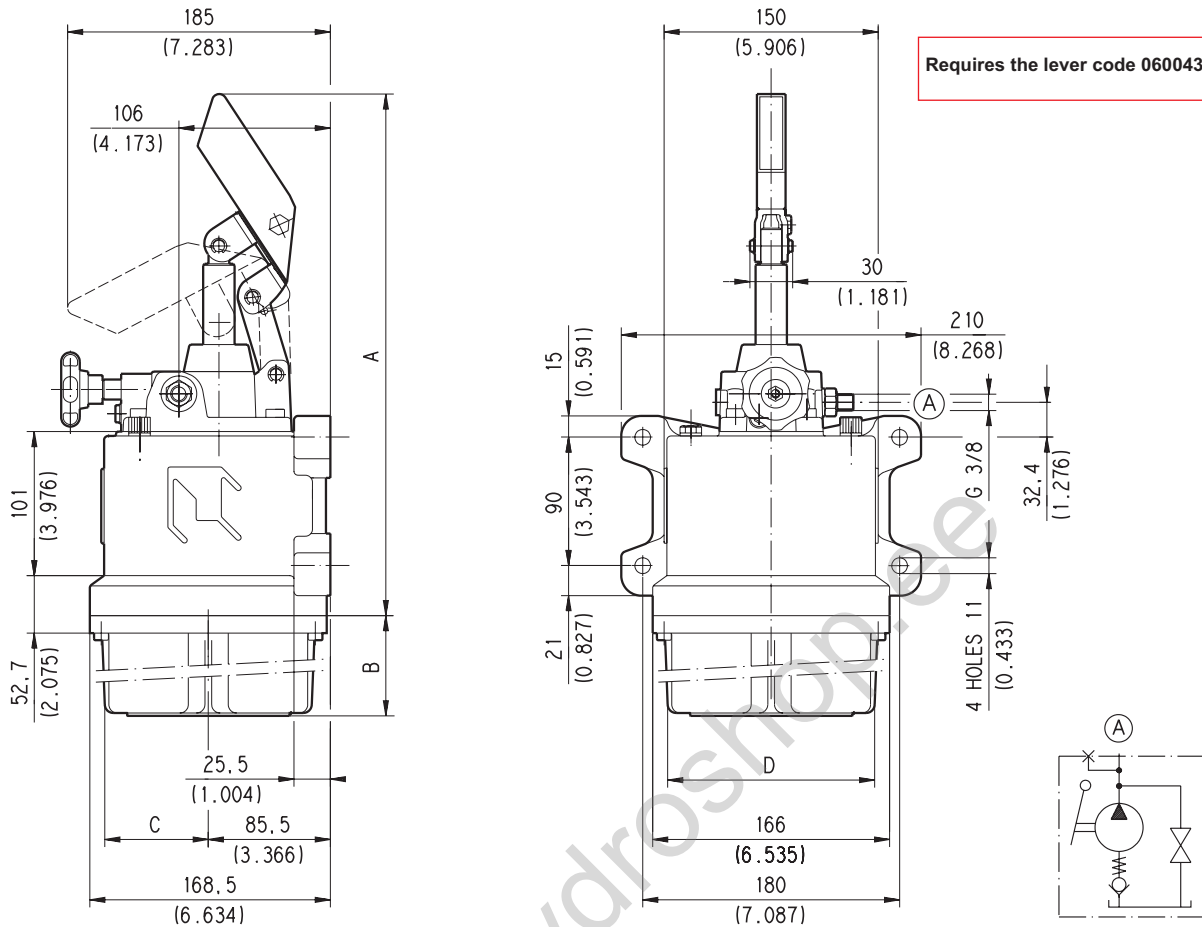
(◆) D= 4 way and 2 positions control valve - D1= 4 Way and 3 positions control valve

The reservoir is available in plastic P or aluminum A (dimensions on page 19). To order the reservoir in aluminum replace the letter P with A (ex. T2A)

03/04.04

EP.. S/T..P - EP.. S V1/T..P

HAND PUMP WITH RESERVOIR 3-5-7-10 LITERS CAPACITY WITH BUILT-IN SHUT-OFF VALVE



D032-D23/1099

Replaces: 02/11.2002

How to order	Displacement [cm <sup>3</sup> /cycle]	Max. pressure [bar]	A mm (in)	Weight [kg]						
				T3P	T3A	T5P	T5A	T7P	T7A	T10P
<b>EP 12..</b>	12	315	350 (13.780)	6,00	6,80	6,20	7,50	6,50	8,70	7,30
<b>EP 25..</b>	25	250	360 (14.173)	6,00	6,80	6,20	7,50	6,50	8,70	7,30
<b>EP 45..</b>	45	220	368 (14.488)	6,30	7,10	6,50	7,80	6,80	9,00	7,60

Reservoir								
Capacity	3 [ℓ]		5 [ℓ]		7 [ℓ]		10 [ℓ]	
Material	Plastic	Aluminm	Plastic	Aluminm	Plastic	Aluminm	Plastic	
<b>B</b>	mm	70	72,5	174	185	290	322,5	275
	(in)	(2.756)	(2.854)	(6.850)	(7.284)	(11.417)	(12.697)	(10.827)
<b>C</b>	mm	72,25	67,5	72,25	67,5	72,25	67,5	112
	(in)	(2.844)	(2.658)	(2.844)	(2.658)	(2.844)	(2.658)	(4.409)
<b>D</b>	mm	144,5	135	144,5	135	144,5	135	208
	(in)	(5.689)	(5.315)	(5.689)	(5.315)	(5.689)	(5.315)	(8.189)

Hand pump with reservoir							
<b>EP 12 S/...</b>	T3P	T3A	T5P	T5A	T7P	T7A	T10P
<b>EP 25 S/...</b>	T3P	T3A	T5P	T5A	T7P	T7A	T10P
<b>EP 45 S/...</b>	T3P	T3A	T5P	T5A	T7P	T7A	T10P

Hand pump with reservoir and relief valve V1 (standard setting 140 [bar])							
<b>EP 12 S V1/...</b>	T3P	T3A	T5P	T5A	T7P	T7A	T10A
<b>EP 25 S V1/...</b>	T3P	T3A	T5P	T5A	T7P	T7A	T10A
<b>EP 45 S V1/...</b>	T3P	T3A	T5P	T5A	T7P	T7A	T10A

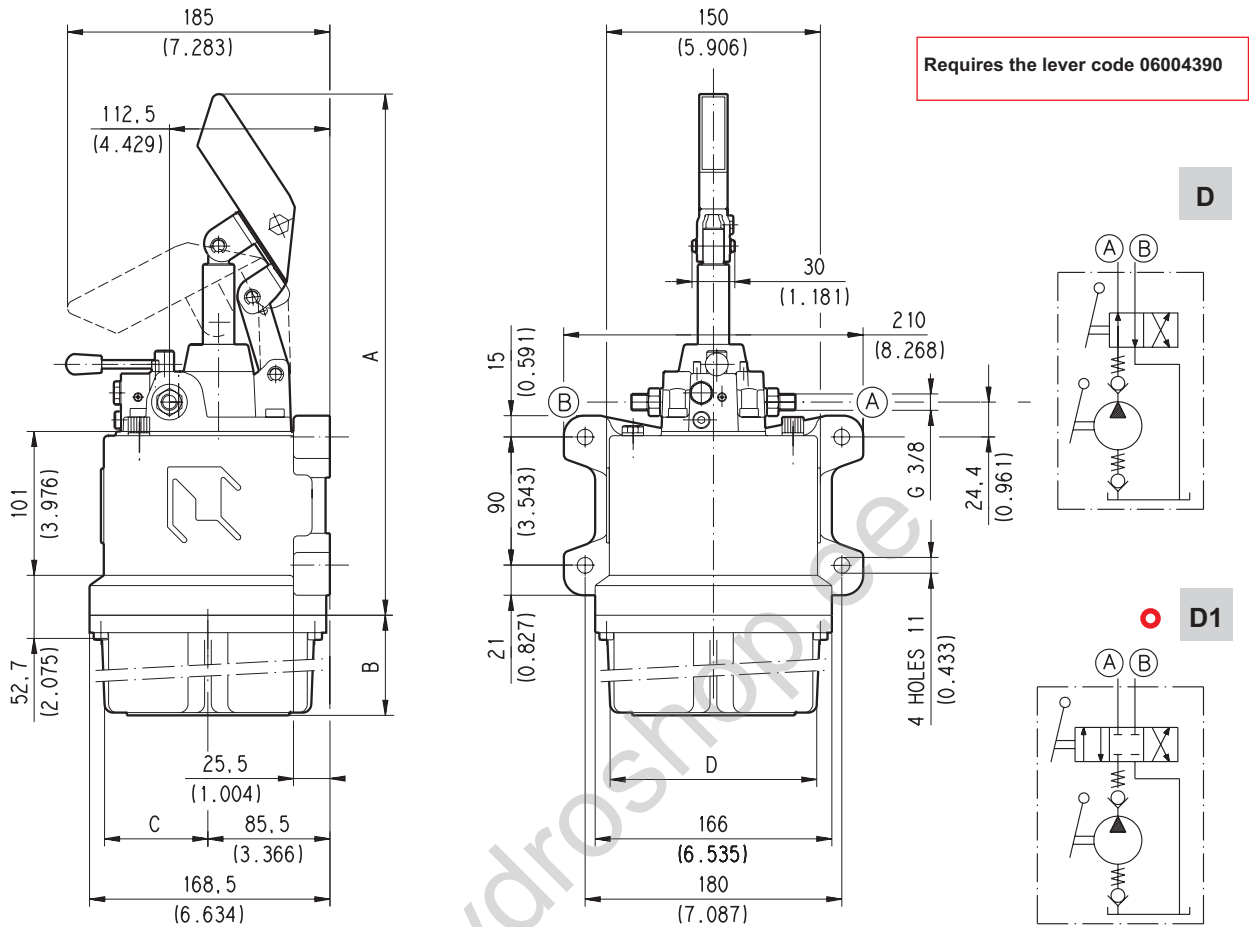
03/04.04

**EP.. D/T..P - EP.. D V1/T..P**

**HAND PUMP WITH RESERVOIR 3-5-7-10 LITERS  
CAPACITY WITH BUILT-IN 4 WAY CONTROL VALVE**

Replaces: 02/11.2000

D032-D24/1002



How to order	Displacement [cm <sup>3</sup> /cycle]	Max. pressure [bar]	<b>A</b> mm (in)	Weight [kg]						
				T3P	T3A	T5P	T5A	T7P	T7A	T10P
<b>EP 12..</b>	12	315	350 (13.780)	6,10	6,90	6,30	7,60	6,60	8,80	7,40
<b>EP 25..</b>	25	250	360 (14.173)	6,10	6,90	6,30	7,60	6,60	8,80	7,40
<b>EP 45..</b>	45	220	368 (14.488)	6,40	7,20	6,60	7,90	6,90	9,10	7,70

Reservoir								
Capacity	3 [ℓ]		5 [ℓ]		7 [ℓ]		10 [ℓ]	
	Material	Plastic	Aluminm	Plastic	Aluminm	Plastic	Aluminm	Plastic
<b>B</b>	mm	70	72,5	174	185	290	322,5	275
	(in)	(2.756)	(2.854)	(6.850)	(7.284)	(11.417)	(12.697)	(10.827)
<b>C</b>	mm	72,25	67,5	72,25	67,5	72,25	67,5	112
	(in)	(2.844)	(2.658)	(2.844)	(2.658)	(2.844)	(2.658)	(4.409)
<b>D</b>	mm	144,5	135	144,5	135	144,5	135	208
	(in)	(5.689)	(5.315)	(5.689)	(5.315)	(5.689)	(5.315)	(8.189)

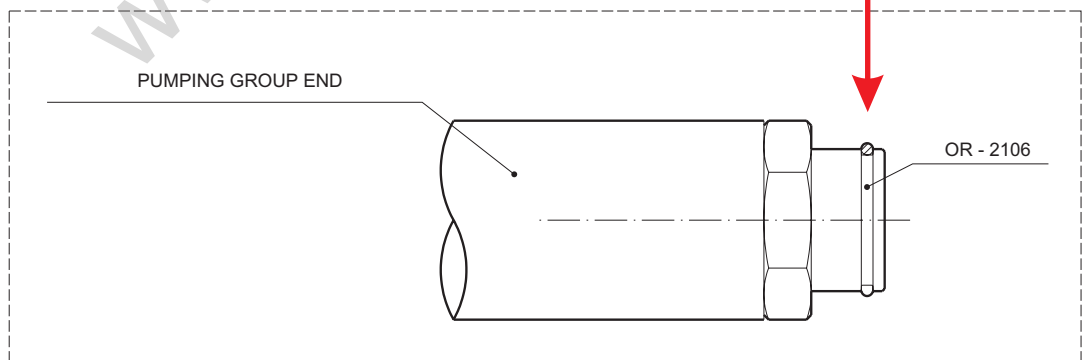
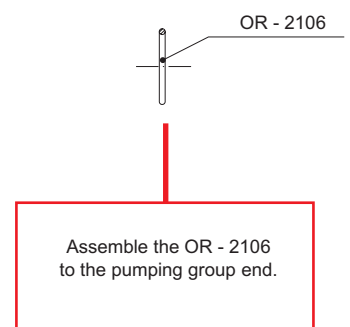
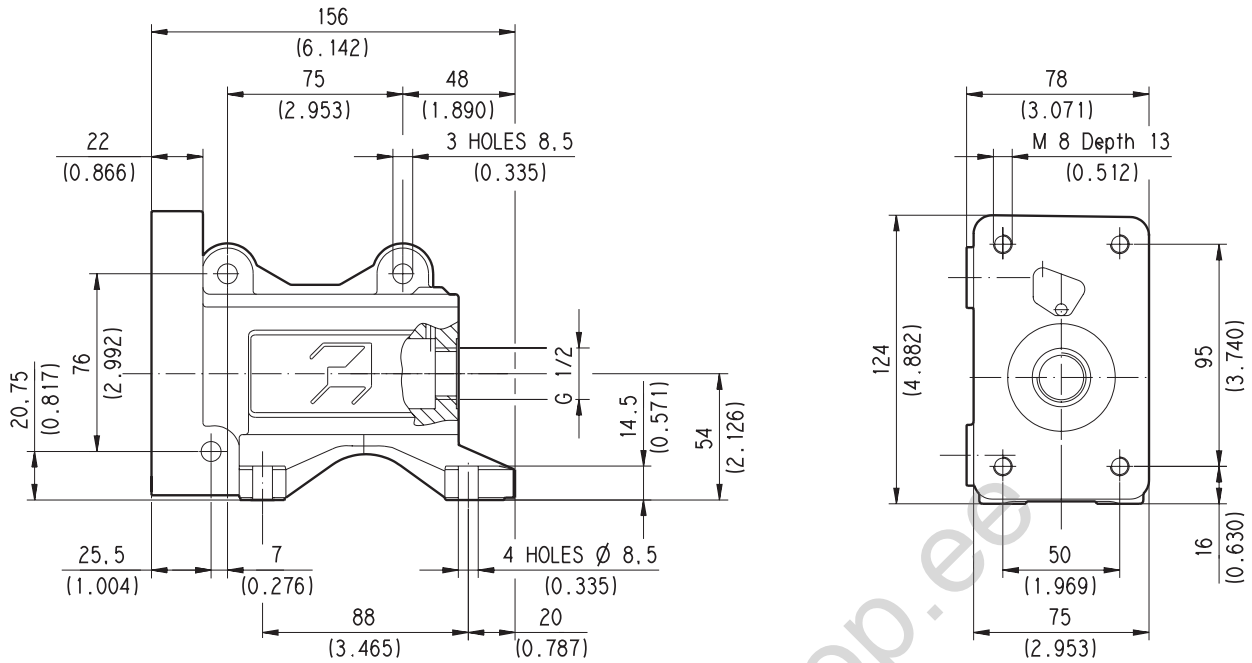
Hand pump with reservoir							
<b>EP 12 (♦) /...</b>	T3P	T3A	T5P	T5A	T7P	T7A	T10P
<b>EP 25 (♦) /...</b>	T3P	T3A	T5P	T5A	T7P	T7A	T10P
<b>EP 45 (♦) /...</b>	T3P	T3A	T5P	T5A	T7P	T7A	T10P

Hand pump with reservoir and relief valve V1 (standard setting 140 [bar])							
<b>EP 12 (♦) V1/...</b>	T3P	T3A	T5P	T5A	T7P	T7A	T10A
<b>EP 25 (♦) V1/...</b>	T3P	T3A	T5P	T5A	T7P	T7A	T10A
<b>EP 45 (♦) V1/...</b>	T3P	T3A	T5P	T5A	T7P	T7A	T10A

(♦) D= 4 way and 2 positions control valve - D1= 4 Way and 3 positions control valve

03/04.04

**SUPPORT FOR HAND PUMPS WITHOUT RESERVOIR**



D032-D29/0999

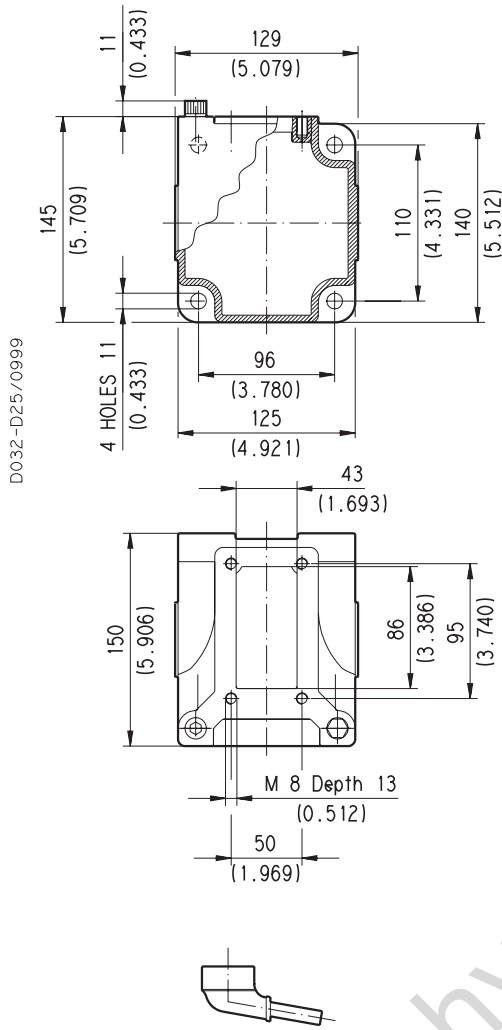
01/02.2000

How to order (*)	Material	Weight
		[kg]
<b>T0A</b>	Aluminm	1,30

(\*) The ordering code includes the O-Ring seal.

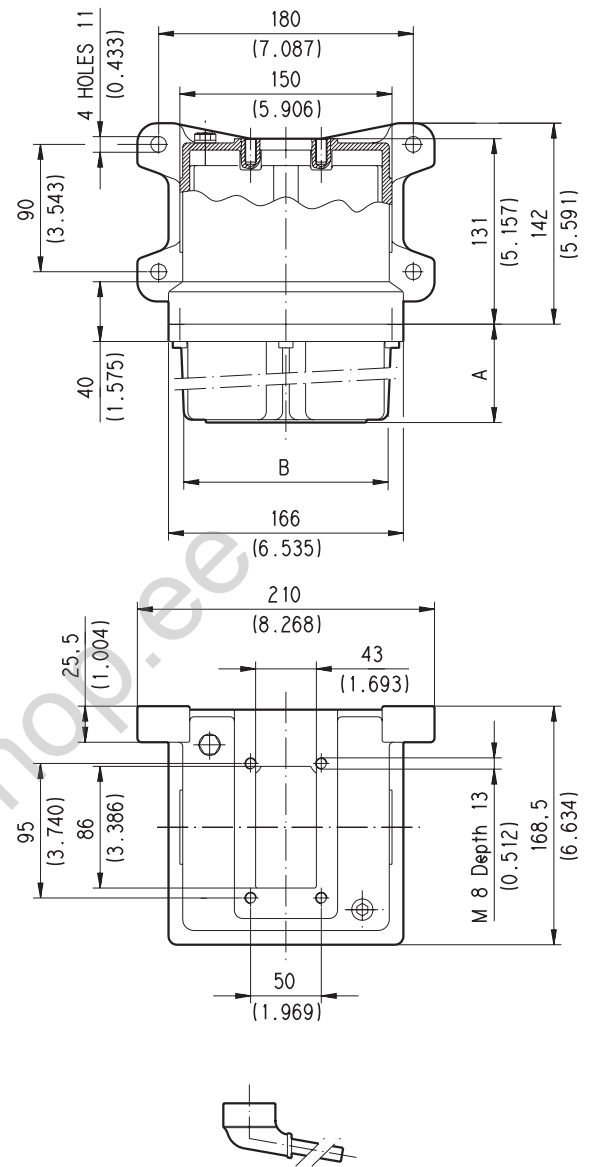
**RESERVOIRS 1 - 2 - 3 - 5 - 7 LITERS CAPACITY**

Replaces: 01/02.2000



D032-D25/0999

D032-D50/0404



03/04.04

Material	Weight
	[kg]
Aluminum	1,60

How to order (*)	Reservoir capacity
	[ℓ]
<b>T1A</b>	1

(\*) The ordering code includes the suction kit.

(\*) For top mounting order reservoir code T1A-SF.

How to order re (*)	Capacity [ℓ]	A		B		Weight	
		Plast.	Alum.	Plast.	Alum.	Plast.	Alum.
		mm (in)	mm (in)	mm (in)	mm (in)	[kg]	[kg]
<b>T2</b>	2	24,7 (0.972)	9,5 (0.374)	144,5 (5.689)	135 (5.315)	2,50	3,00
<b>T3 P</b>	3	70 (2.756)	72,5 (2.854)	144,5 (5.689)	135 (5.315)	2,60	3,40
<b>T5 A</b>	5	174 (6.850)	185 (7.284)	144,5 (5.689)	135 (5.315)	2,80	4,10
<b>T7</b>	7	290 (11.417)	322,5 (12.697)	144,5 (5.689)	135 (5.315)	3,10	5,30

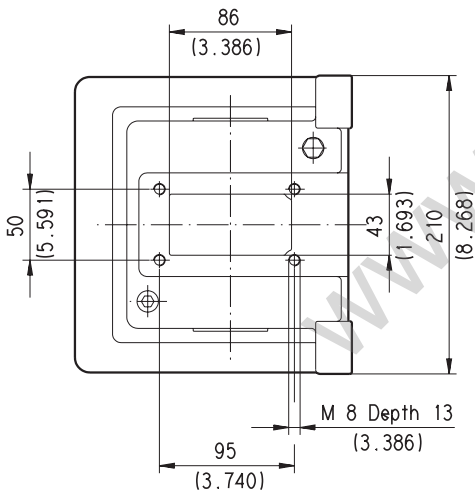
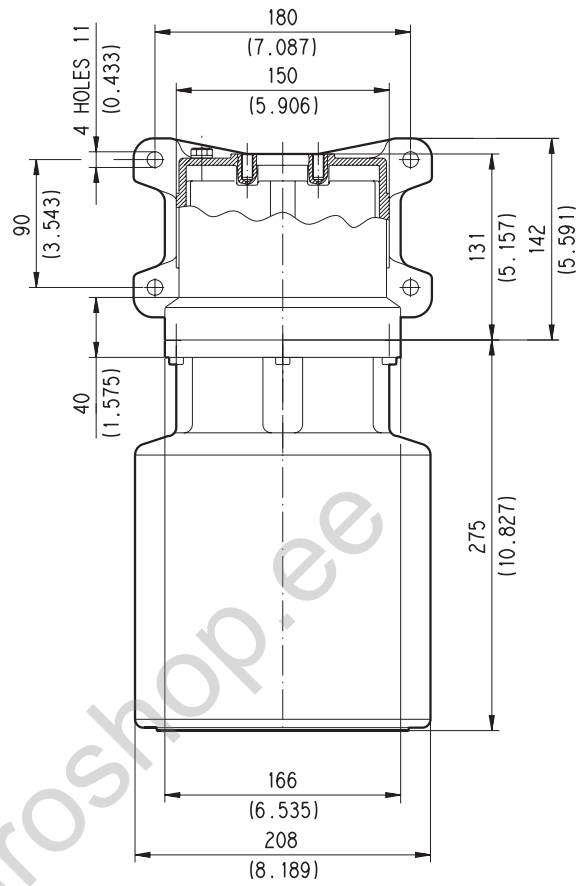
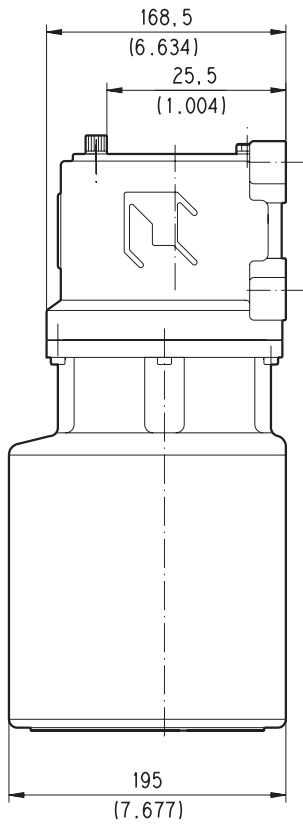
(\*) The ordering code includes the suction kit.

(\*) The base reservoir "SB" is aluminum, the cover is available in plastic or aluminum.

Order example of 5 liters reservoir in plastic material: T5P

To order the reservoir in aluminum replace the letter P with A: T5A

**RESERVOIR 10 LITERS CAPACITY**



D032-D27/0999

Replaces: 01/02.2000

03/04.04

How to order (*)	Material	Reservoir capacity	Weight
		[ℓ]	[kg]
<b>T10P</b>	Plastic	10	3,90

(\*) The ordering code includes the suction kit.

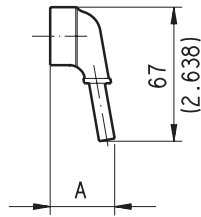
(\*) The base reservoir "SB" is aluminum, the cover is available only in plastic or aluminum.

KIT AND ACCESSORIES

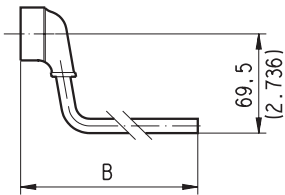
Suction kit

Replaces: 02/11.2000

D032-D35/0999



D032-D34/0999

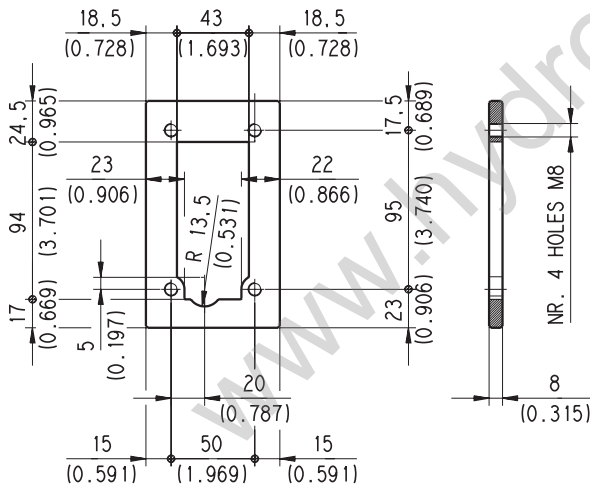


Reservoir capacity	How to order kit (*)	A	B
		mm (in)	mm (in)
1 [ℓ]	<b>KT 02</b>	41 (1.614)	
2 [ℓ]			
3 [ℓ]	<b>KT 03</b>		91 (3.583)
5 [ℓ]	<b>KT 05</b>		194 (7.638)
7 [ℓ]	<b>KT 07</b>		311 (12.244)
10 [ℓ]			

(\*) The kit is complete with strainer

Mounting flange for attaching the pumping group to a customer reservoir

D032-D36/0999



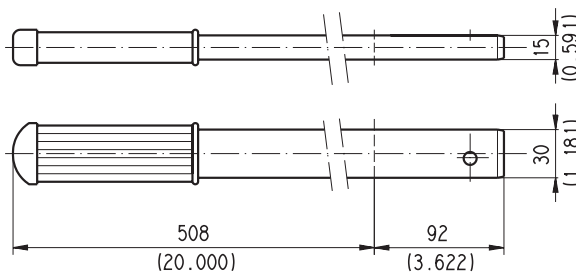
How to order

**06004395**

Lever

03/04.04

D032-D37/0999



How to order (\*)

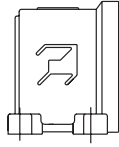
**06004390**

(\*) Different length lever are available on request

**KIT AND ACCESSORIES**

**Base reservoir**

D032-D45/0999



How to order	Material
<b>SB</b>	Aluminum

**Cover kit for reservoir (cover, gasket, screws and suction kit)**

Reservoir capacity [l]	How to order	
	Material	
	Plastic	Aluminum <span style="color: red;">◉</span>
2	<p><b>C2P</b></p> <p>D032-D44/0404</p>	<p><b>C2A</b></p> <p>D032-D55/0404</p>
3	<p><b>C3P</b></p> <p>D032-D46/0404</p>	<p><b>C3A</b></p> <p>D032-D56/0404</p>
5	<p><b>C5P</b></p> <p>D032-D47/0404</p>	<p><b>C5A</b></p> <p>D032-D57/0404</p>
7	<p><b>C7P</b></p> <p>D032-D48/0404</p>	<p><b>C7A</b></p> <p>D032-D58/0404</p>
10	<p><b>C10P</b></p> <p>D032-D49/0404</p>	

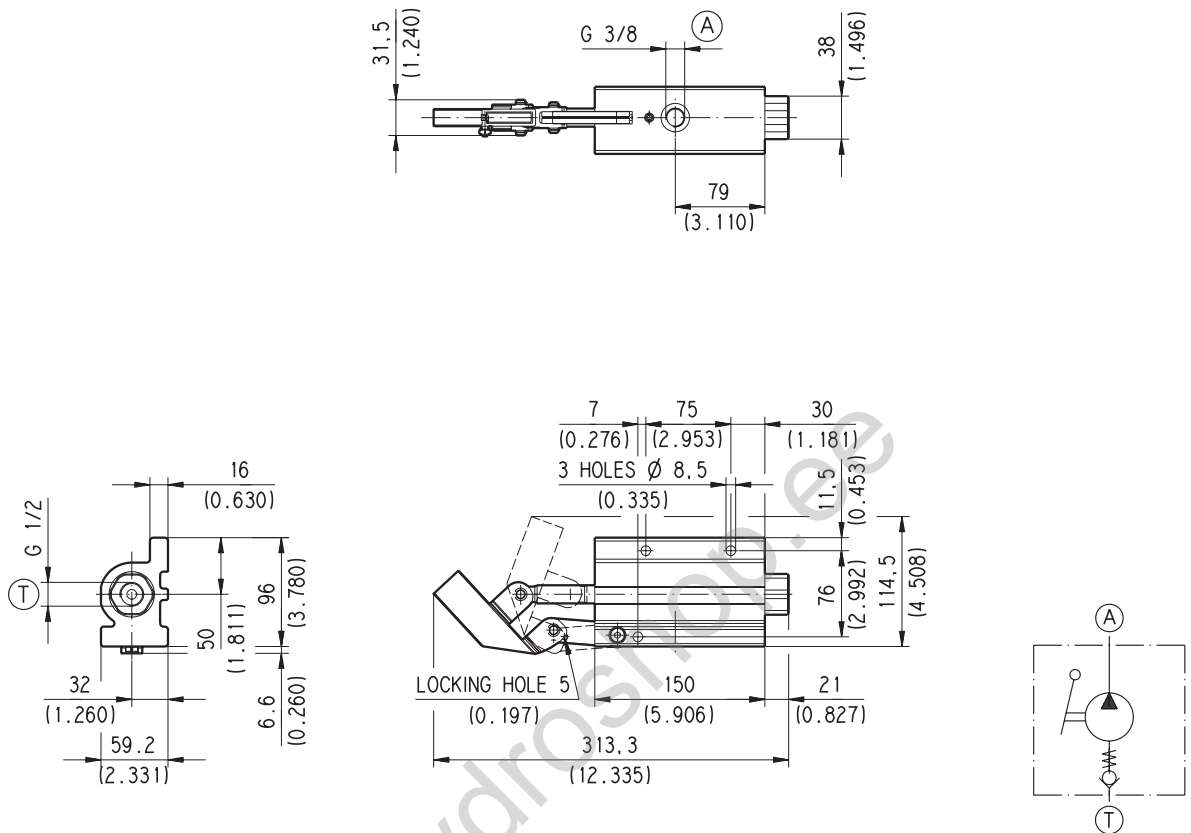
Replaces: 02/11.2000

◉ 03/04.04

**EP 25 W/TXA  
EP 25 W-../TXA**

**HAND PUMPS WITHOUT RESERVOIRS WITH ALUMINIUM BODY  
SIMPLIFIED VERSION**

D032-D53/1102



**Lever**

D032-D53/1102

**How to order (\*)**

**06004392**

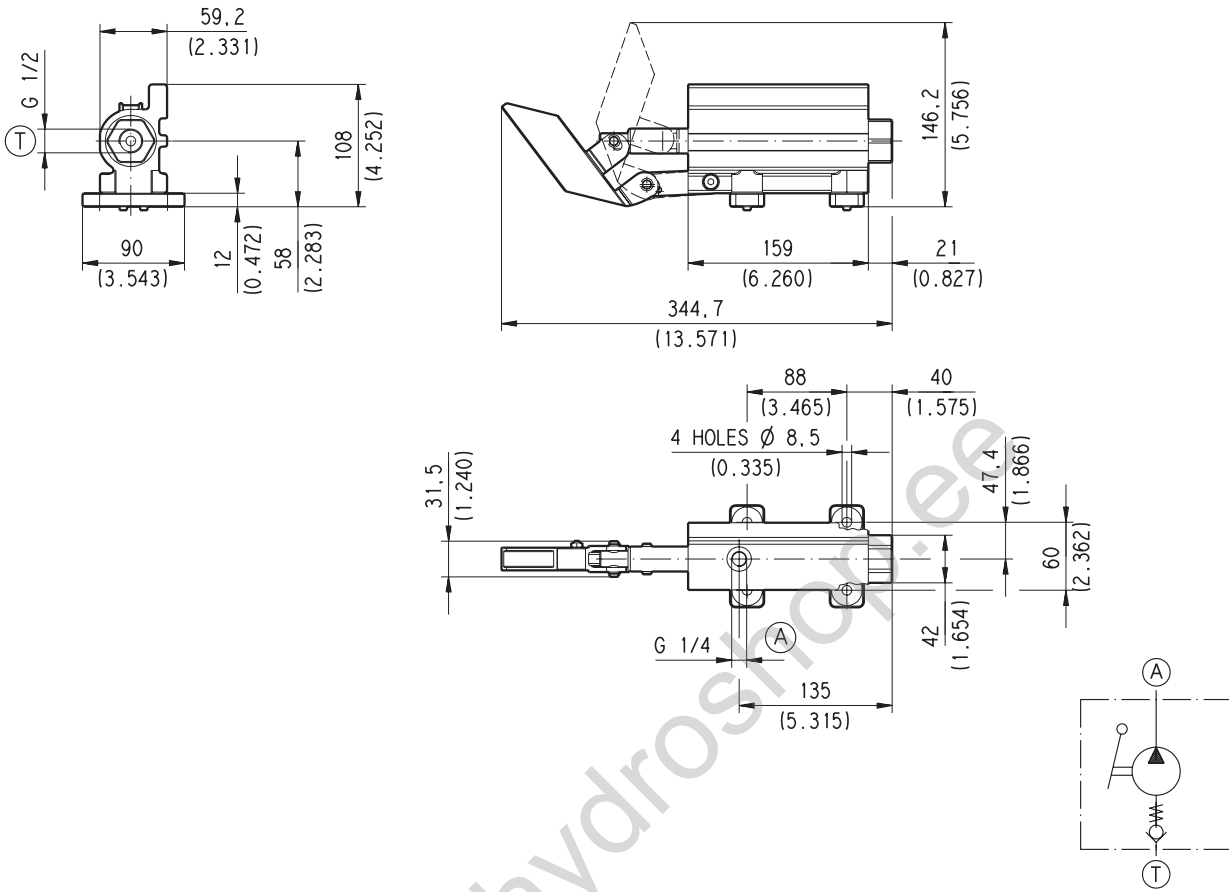
(\*) A richiesta sono disponibili leve di lunghezze diverse

03/04.04

How to order	Displacement	Max. pressure	Weight
	[cm <sup>3</sup> /cycle]	[bar]	[kg]
<b>EP 25 W /TXA</b>	25	250	2,36
<b>EP 25 W /TXA</b>	Standard - Body without treatment		
<b>EP 25 W - R /TXA</b>	Body with anodizing red		
<b>EP 25 W - B /TXA</b>	Body with anodizing black		

**EP 45 W/TXA  
EP 45 W-../TXA**

**HAND PUMPS WITHOUT RESERVOIRS WITH ALUMINIUM BODY  
SIMPLIFIED VERSION**



D032-D52/1102

Requires the lever code 06004390

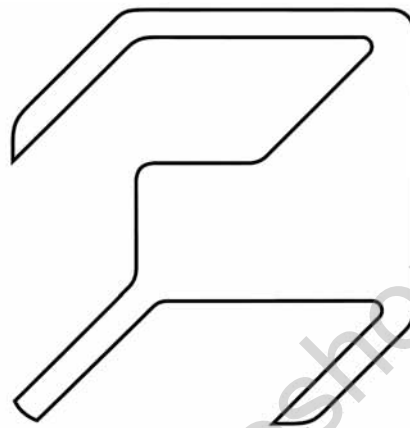
www.hydroshop.it

How to order	Displacement	Max. pressure	Weight
	[cm <sup>3</sup> /cycle]	[bar]	[kg]
<b>EP 45 W /TXA</b>	45	220	3,00
<b>EP 45 W /TXA</b>	Standard - Body without treatment		
<b>EP 45 W - R /TXA</b>	Body with anodizing red		
<b>EP 45 W - B /TXA</b>	Body with anodizing black		

03/04.04

[www.hydroshop.ee](http://www.hydroshop.ee)

Our policy is one of continuous improvement in product. Specification of items may, therefore, be changed without notice.



**CASAPPA®**

FLUID POWER DESIGN

**CASAPPA S.p.A. - Parma - Italy - Tel.: (+ 39) 0521 304111 - Fax: (+ 39) 0521 804600**

**CASAPPA Corp. - Batavia, IL 60510 U.S.A. - Phone: 630 761-0041 - Fax: 630 761-0048**

**CASAPPA GmbH - Stuttgart - Germany - Tel.: + 49 711 7811770 - Fax: + 49 711 7811771**

**CASAPPA SARL - Janneyrias - France - Tel.: + 33 4 72462112 - Fax: + 33 4 72462100**

<http://www.casappa.com>  
e-mail: [info@casappa.com](mailto:info@casappa.com)