

This manifold is designed to be used with solenoid operated and electro-proportional cartridges. It incorporates extra material around the cavity to provide coil clearance along with the spotface needed for Sun's weatherized coil.

TECHNICAL DATA

Body Type	Line mount
Interface	None
Body Features	Ninety degree with high capacity port 3, accepts standard and weatherized coils
Mounting Hole Diameter	.34 in.
Mounting Hole Depth	Through
Mounting Hole Quantity	2
Open Cavities	1
Cavity	T-11A
Port Size	3/8" BSPP
Model Weight	1.31 lb.

NOTES *Important:* Carefully consider the maximum system pressure. The pressure rating of the manifold is dependent on the manifold material, with the port type/size a secondary consideration. Manifolds constructed of aluminum are not rated for pressures higher than 3000 psi (210 bar), regardless of the port type/size specified.

PORT DESIGNATORS

Modifiers	Ports
C2U, /S	All Ports: 3/8" BSPP;

CONFIGURATION OPTIONS

Model Code Example: C2U

MODIFIER

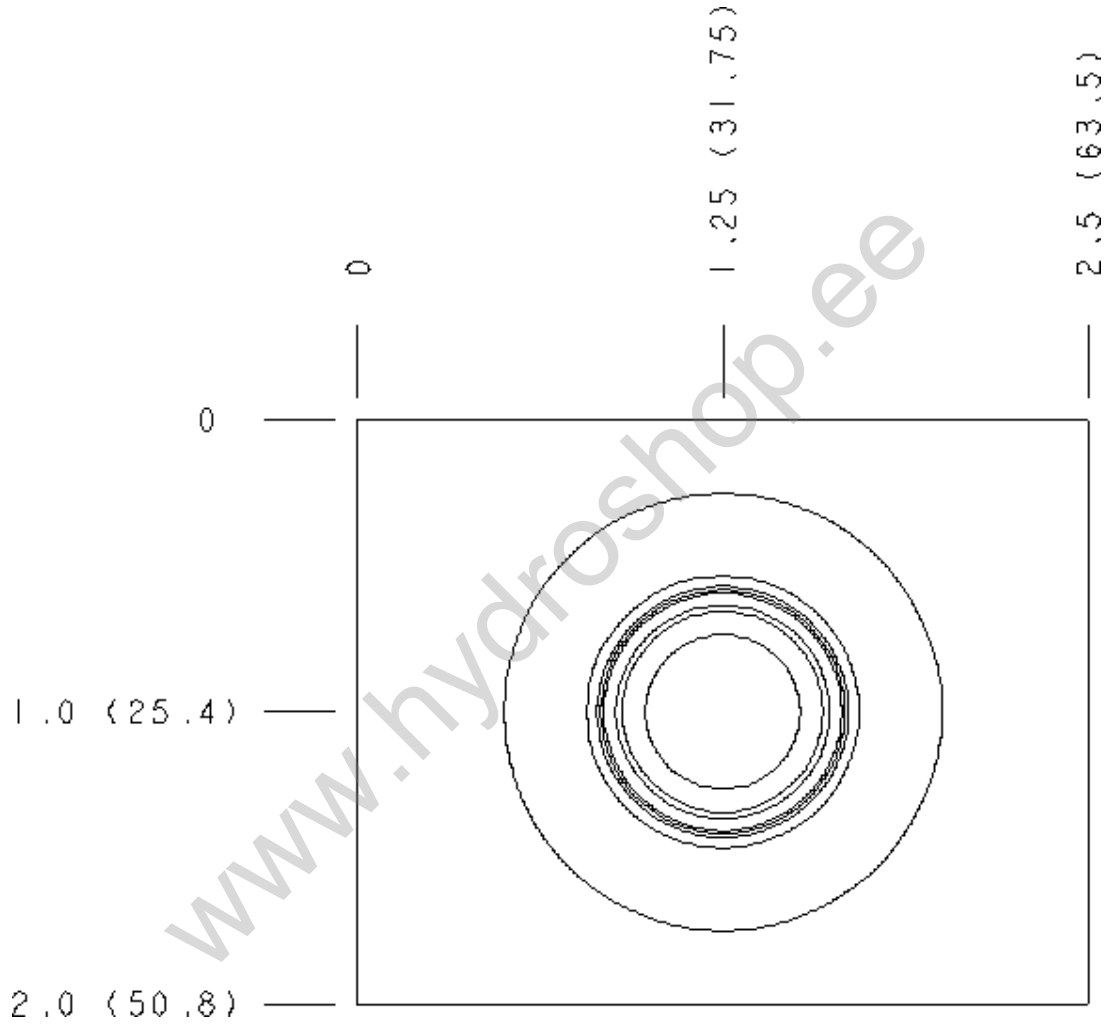
- 6061-T651 Aluminum, Buna-N
- /S 65-45-12 Ductile Iron, Buna-N, Blackened

MANIFOLD FACES

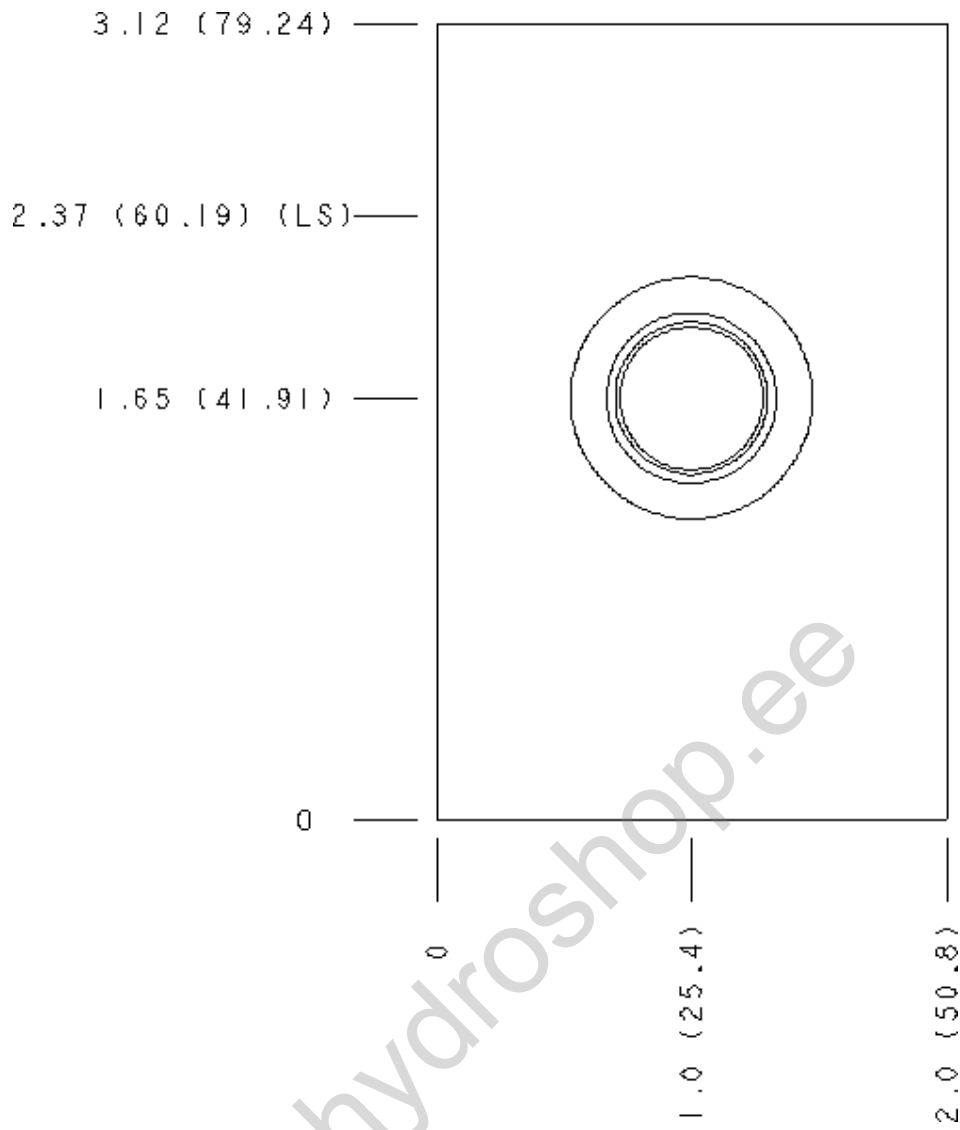
FACE GRID

1	2	3	4
5	6	7	8
9	10	11	12

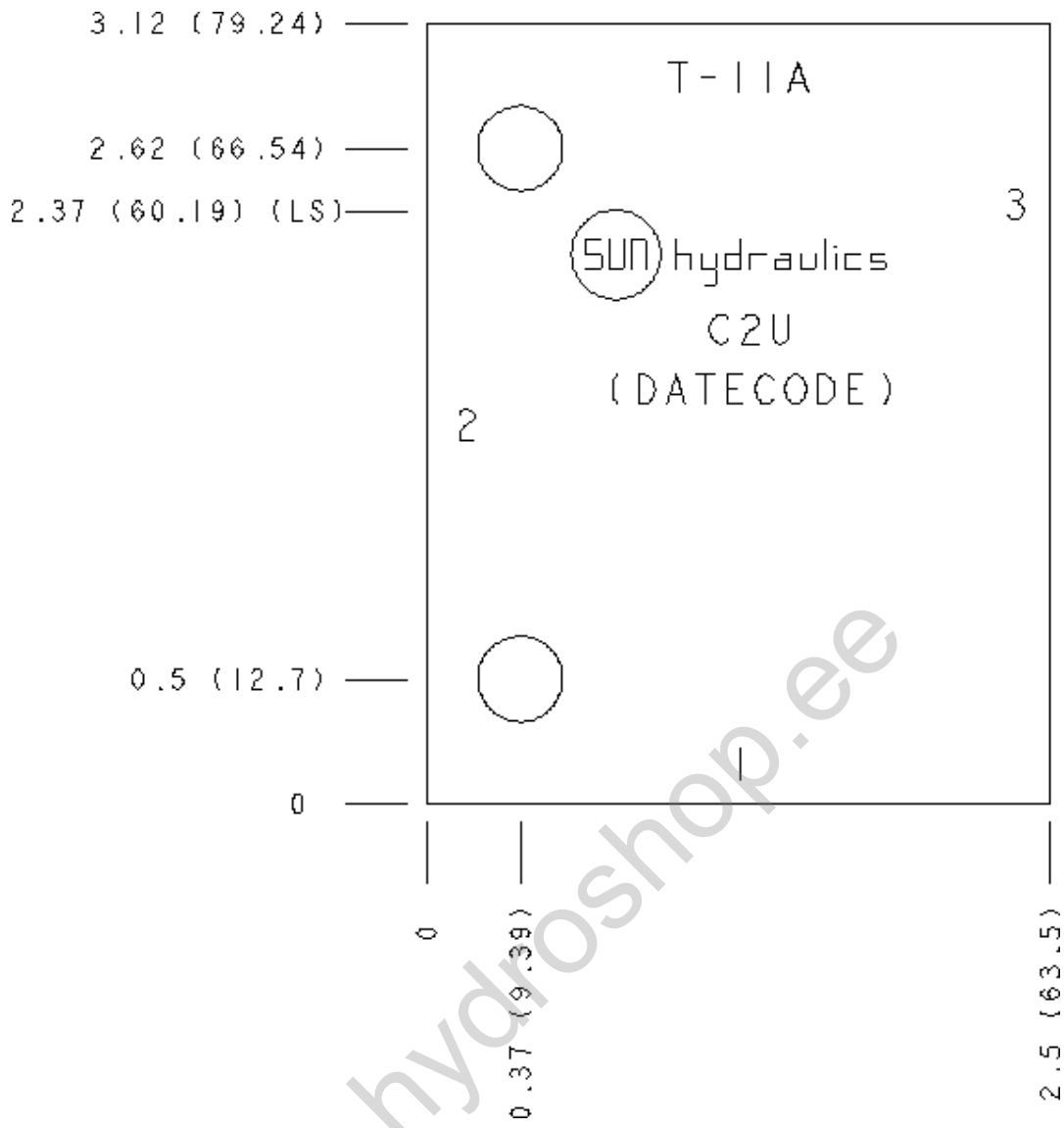
Face 2



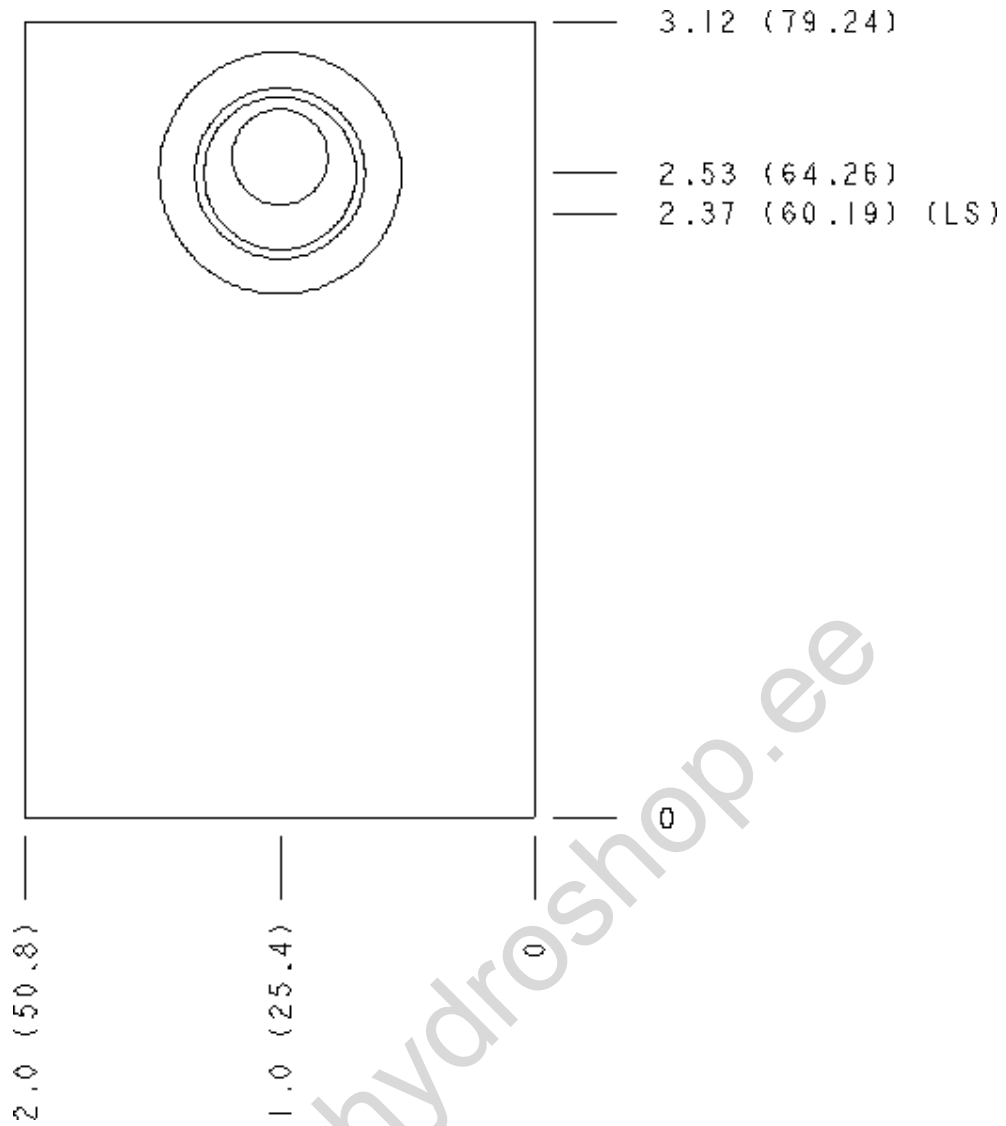
Face 5



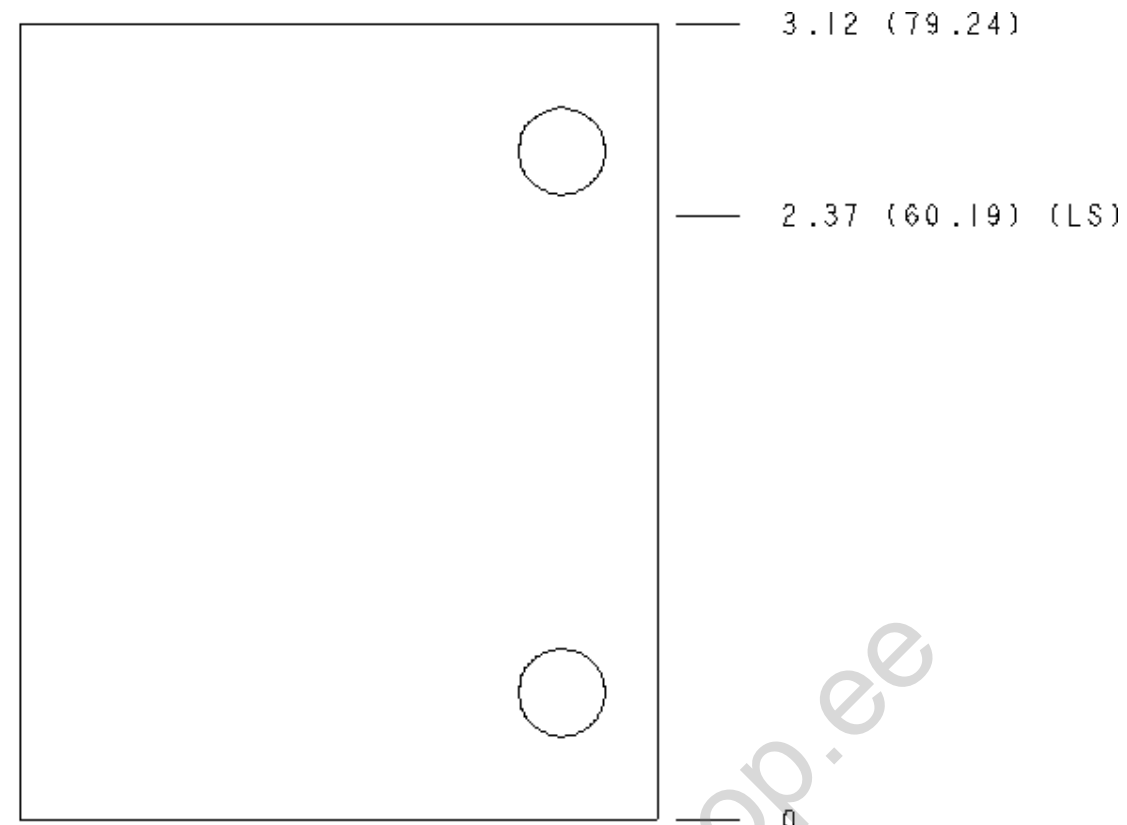
Face 6



Face 7



Face 8



www.hydroshop.ee

Face 10

