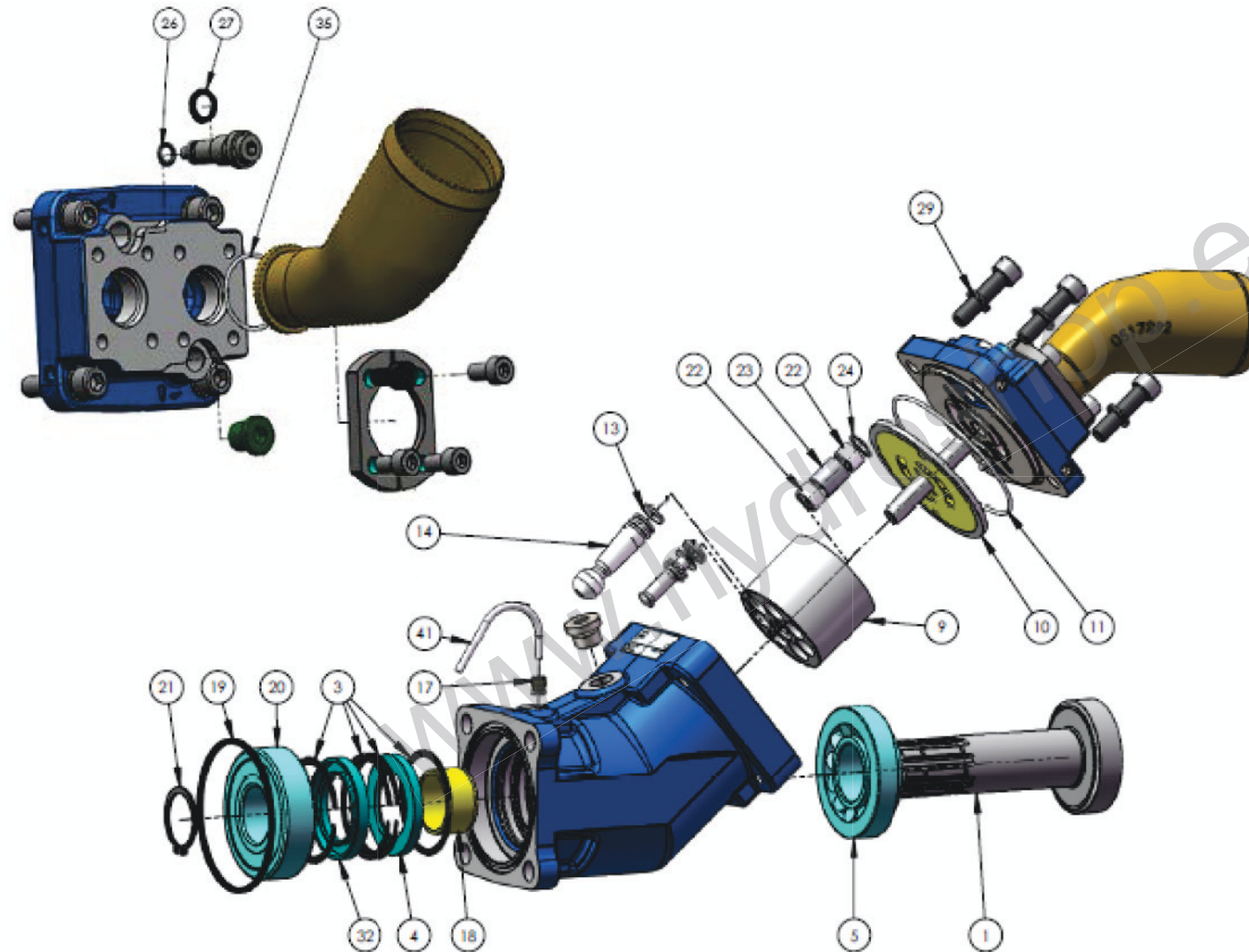


XP Hydro Leduc pumps exploded view

Date :
05/01/2012

Page :
Page 1 of 1



Part number	Designation	Qty / pump
1	Shaft	1
3	Spring ring	4
4	Nitrile lip seal	1
5	Conical bearing	1
9	Barrel	1
10	Distribution plate	1
11	O-ring	1
13	Ring	7
14	Piston	7
17	Carstick plug	1
18	Internal ring	1
19	O-ring	1
20	Ball bearing	1
22	Needle bearing	2
23	Shim	1
24	Circlips	1
26	O-ring	1
27	O-ring	1
29	Nord Lock washer	4
32	Viton lip seal	1
35	O-ring	1
41	Plastic tube	1



HYDROSHOP